

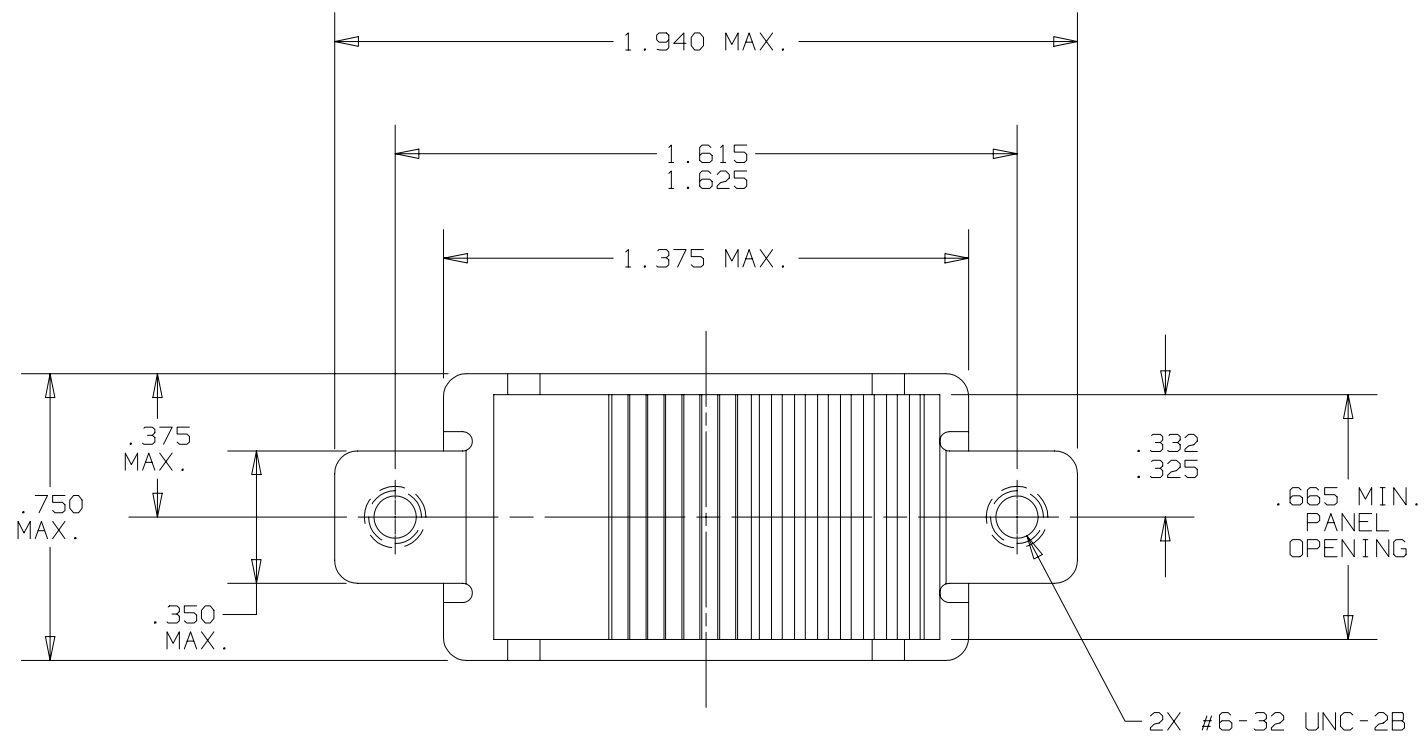
4

3

2

1

REVISIONS						
ZONE	LTR	20TC	DESCRIPTION	PROJ. 1157	DATE	APPROVED
	H		ADDED MAX. OPERATING FORCES NOTE. ECN0028165 PAF		3/22/06	RG



(DETAIL PERFORMANCE PER MIL-C-5809)

OVERLOAD CYCLING-----100 CYCLES AT 200% RATING  
 VIBRATION-----10 G'S MINIMUM 50-500 CPS  
 MECHANICAL SHOCK-----25 G'S 11.5 MILLISECONDS DURATION  
 ACCELERATION-----10 G'S MINIMUM  
 CORROSION-----SALT SPRAY 50 HOURS  
 HUMIDITY-----10 DAYS  
 EXPLOSION PROOF-----WHILE INTERRUPTING RUPTURE CURRENT  
 OPERATING ALTITUDE:-----70,000 FT.

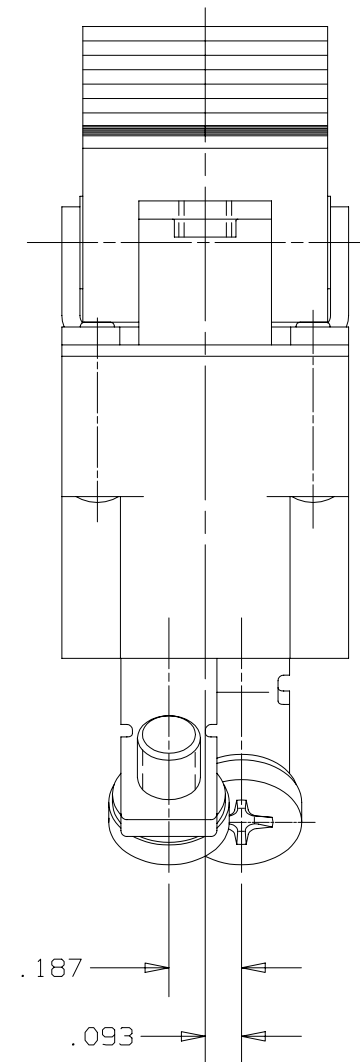
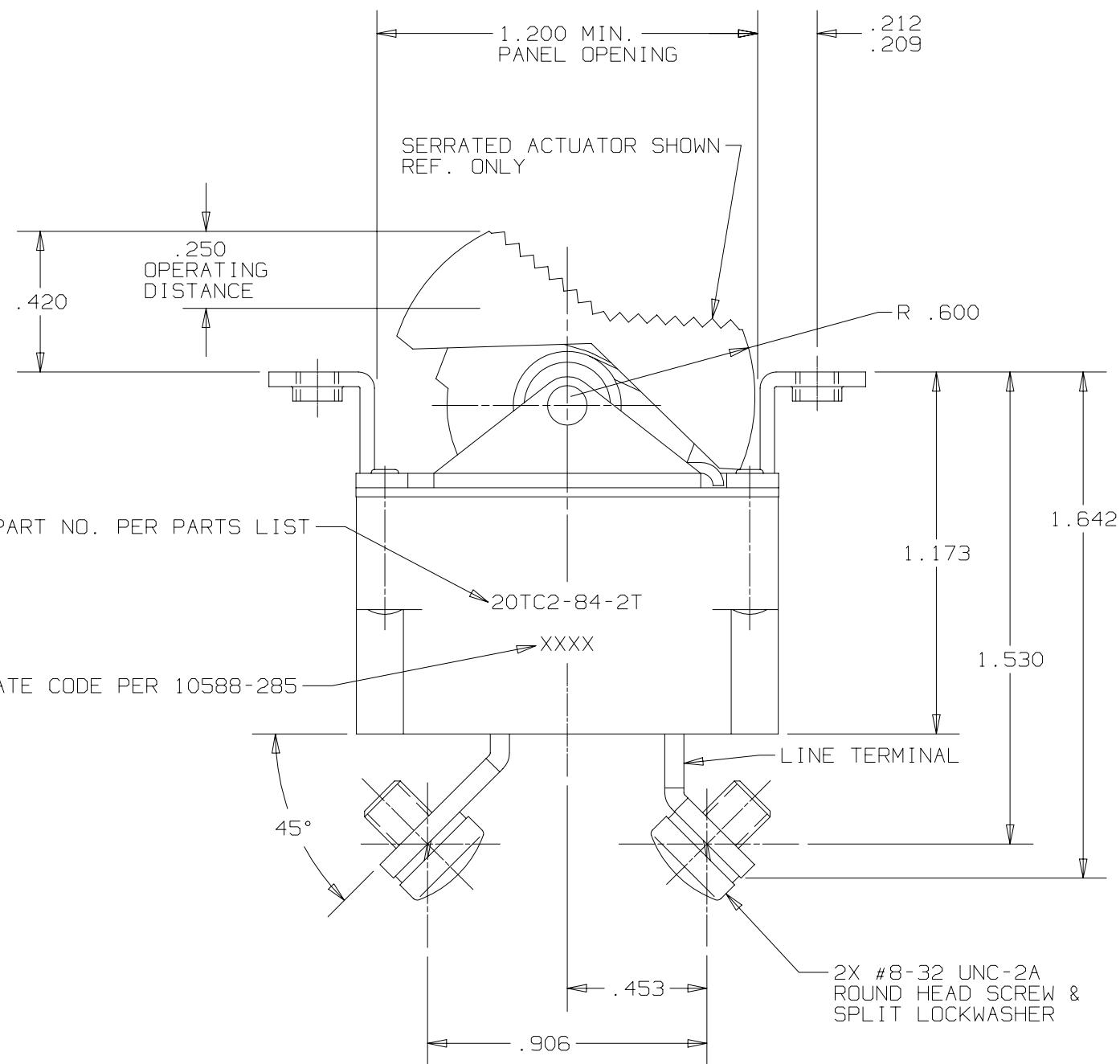
VOLTAGE DROP-----3 AMP RATING .75 VOLTS  
 5 AMP RATING .65 VOLTS  
 7 1/2 AMP-35 AMP RATING .50 VOLTS

ENDURANCE:  
 120 VAC-----60-400 CPS, INDUCTIVE -----5000 CYCLES  
 RESISTIVE -----5000 CYCLES  
 30 VDC-----INDUCTIVE -----2500 CYCLES  
 RESISTIVE -----5000 CYCLES  
 MECHANICAL-----10000 CYCLES

CALIBRATION:	TEST	CIRCUIT BKR RATING	PERCENT RATED CURRENT	AMB. TEMP.	TRIP TIME
	MIN. ULT. TRIP	3-35	110	25°C	HOLD
	MAX. ULT. TRIP	3-35	150	25°C	1 HR. MAX.
	200% TIME	3-35	200	25°C	10-130 SEC.

RUPTURE:  
 3 AMP THRU 35 AMP  
 120 VAC, 400 C'S, 1000-AMPS  
 30 VDC, 2000 AMPS

MAXIMUM OPERATING FORCES:  
 "ON" POSITION.....10 LBS. MAX.  
 "OFF" POSITION.....10 LBS. MAX.



PART NO.	AMP RATING
20TC2- 3	3
20TC2- 5	5
20TC2- 7 1/2	7 1/2
20TC2- 10	10
20TC2- 15	15
20TC2- 20	20
20TC2- 25	25
20TC2- 30	30
20TC2- 35	35

CODE PART NO. PER PARTS LIST

20TC2-84-2T



XXXX

CODE DATE CODE PER 10588-285

LINE TERMINAL

2X #8-32 UNC-2A ROUND HEAD SCREW & SPLIT LOCKWASHER

THIS IS A CAD DRAWING. THE GEOMETRY IN THE ASSOCIATED CAD COMPUTER FILE IS DIMENSIONALLY ACCURATE. WHEN DRAWING IS BEING REVISED, THE GEOMETRY MUST BE UPDATED IN ALL VIEWS AND ON ALL SHEETS.

UNLESS OTHERWISE SPECIFIED DIMENSIONS ARE IN INCHES		DRAWN J. HORAN	DATE 8/5/66	03 P18	
TOLERANCE ON FRACTIONS DECIMALS ANGLES		ENGINEER		 	
		APPROVED B. FOLEY	8/26/66	TITLE ROCKER ACTUATED CIRCUIT BREAKER ENVELOPE DRAWING	
MATERIAL				SIZE C	CODE IDENT NO. 82647
		SIGNATURES ON FILE. REFER TO ELECTRONIC CHANGE NOTICE.		SCALE: 4X	SHEET 1 OF 1