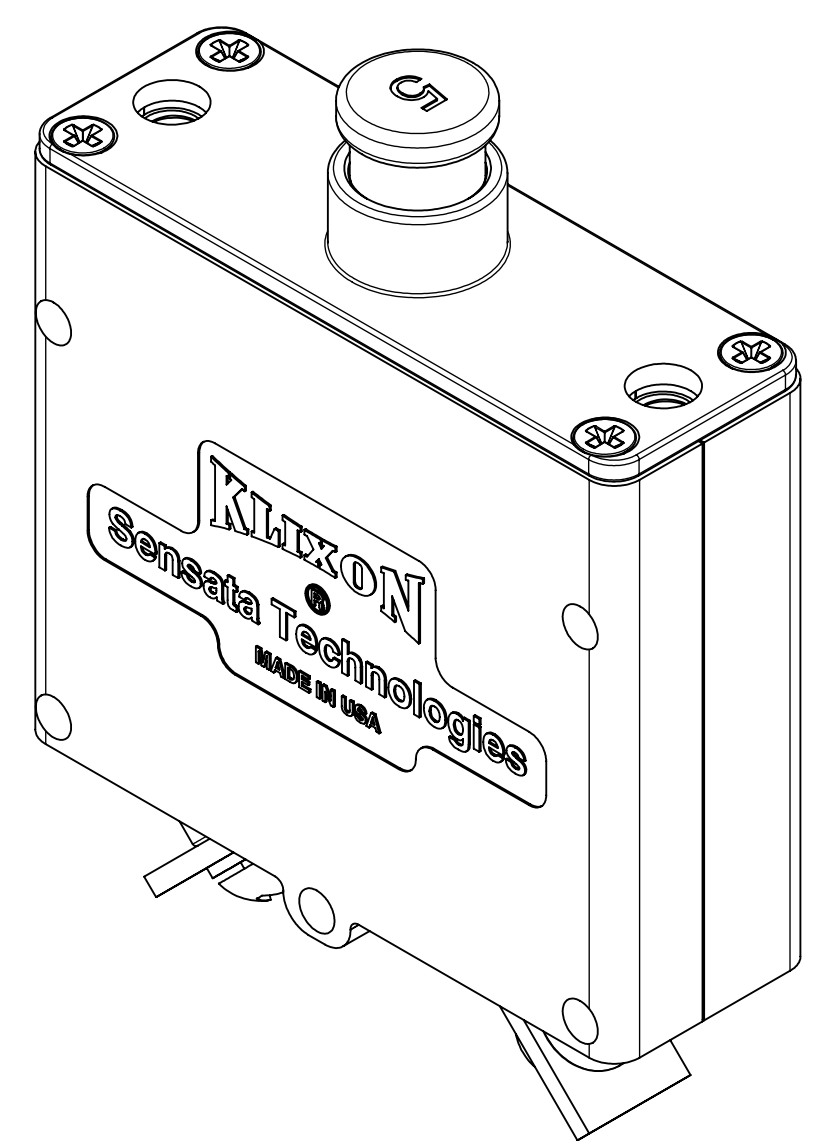
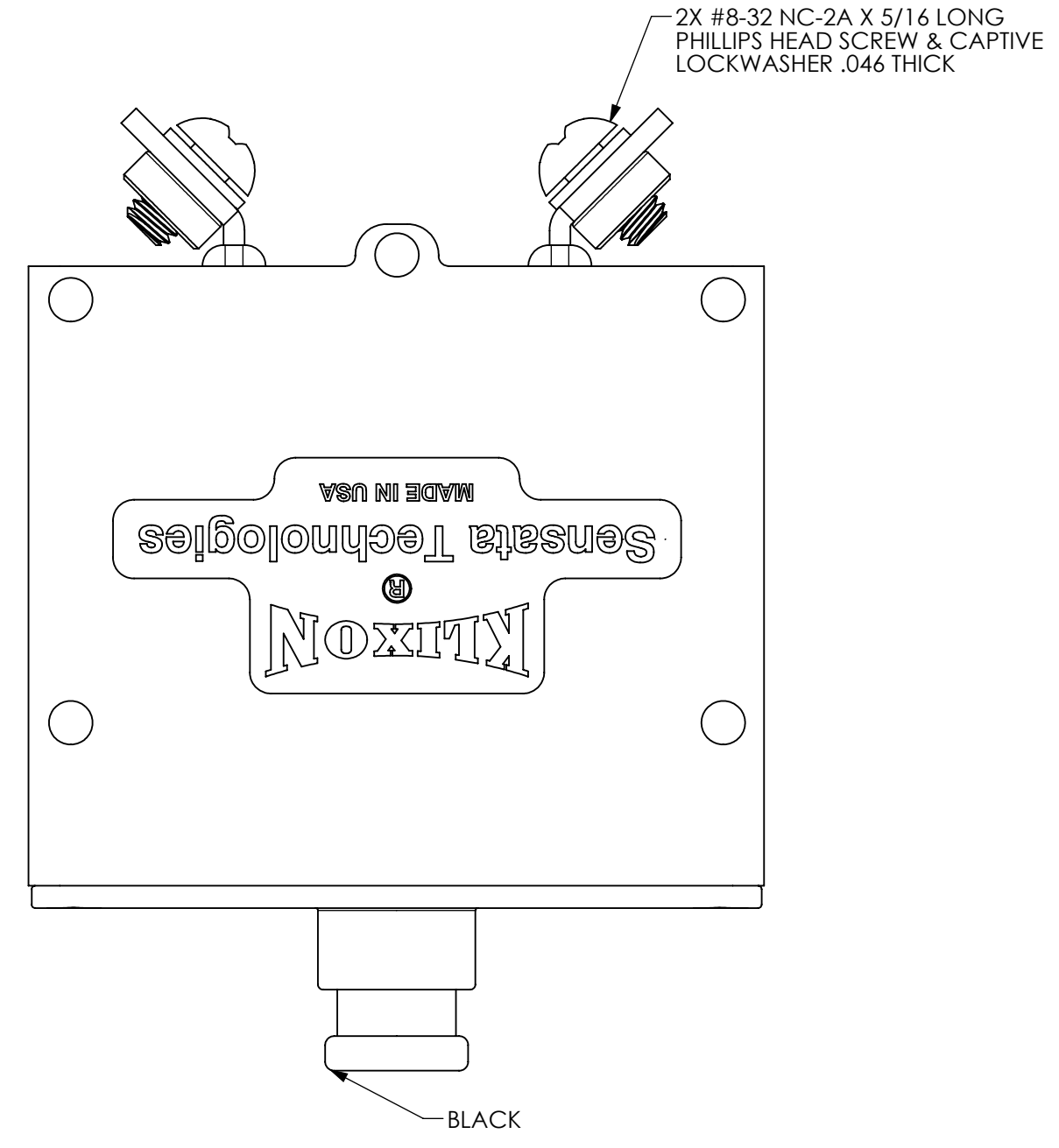


Property of  
Sensata Technologies



ZONE	REV.	REVISION DESCRIPTION	ECN NO.	DATE
	V	RE-DOCUMENTED IN SOLIDWORKS; UPDATED SCREWS ON DRAWING TO MATCH BOM; GML	ECO-096543	06-FEB-2014

PERFORMANCE CHARACTERISTICS  
TESTED TO AND MEETS REQUIREMENTS OF MIL-C-27715 (USAF)

1. CALIBRATION	AMBIENT TEMP.	MIN. ULT. TRIP	MAX. ULT. TRIP	200%	400%	1000%	3000%
	-54°C	110%	160%				
	25°C	110%	138%	SEE TABLE BELOW			
	93.3°C	105%	138%	VALUES FOR -54°C TO 93.3°C			
	121.1°C	100%	138%				

2. RUPTURE	120 VAC	205 VAC	30 VDC	400 CYCLE	400 CYCLE	6,000 AMPS	4,200 AMPS	6,000 AMPS
3. DURABILITY	120 VAC			400 CYCLE			10,000 CYCLES	
	MECHANICAL			NO LOAD			5,000 CYCLES	
	RESISTIVE LOAD						5,000 CYCLES	
	INDUCTIVE LOAD						5,000 CYCLES	
	TOTAL						20,000 CYCLES	

4. VOLTAGE DROP, WHILE CARRYING RATED CURRENT

AMP RATING	MAXIMUM VOLTAGE DROP
2.5	0.6 V
5	0.4 V
7.5	0.3 V
ALL OTHERS	0.25 V

5. VIBRATION

FREQUENCY	G LEVEL
5-10 CPS	0.2 DOUBLE AMPLITUDE
10-23 CPS	±1 G
23-74 CPS	0.036 DOUBLE AMPLITUDE
74-300 CPS	±10 G
300-600 CPS	±15 G
600-700 CPS	±14 G
700-1500 CPS	±10 G

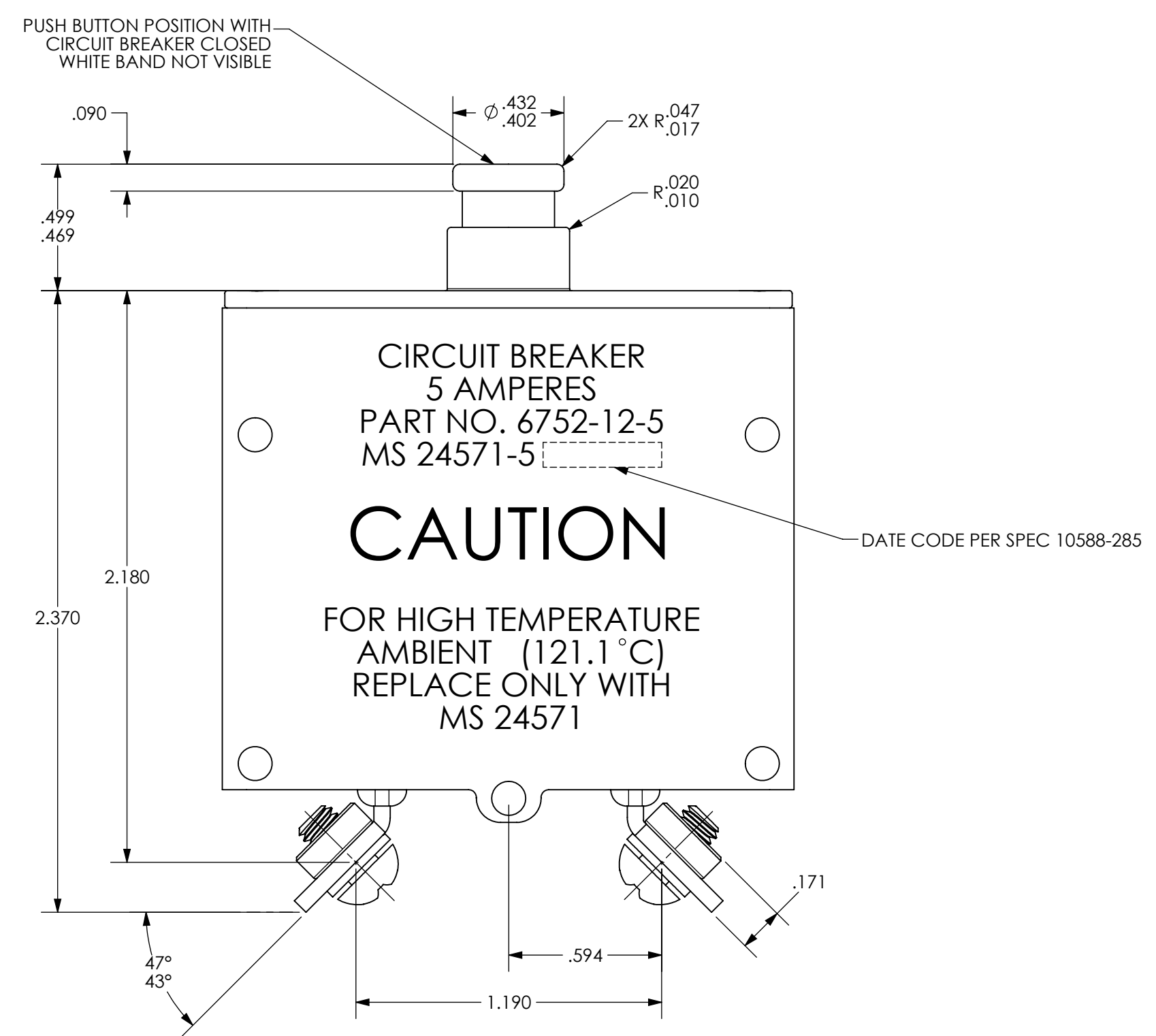
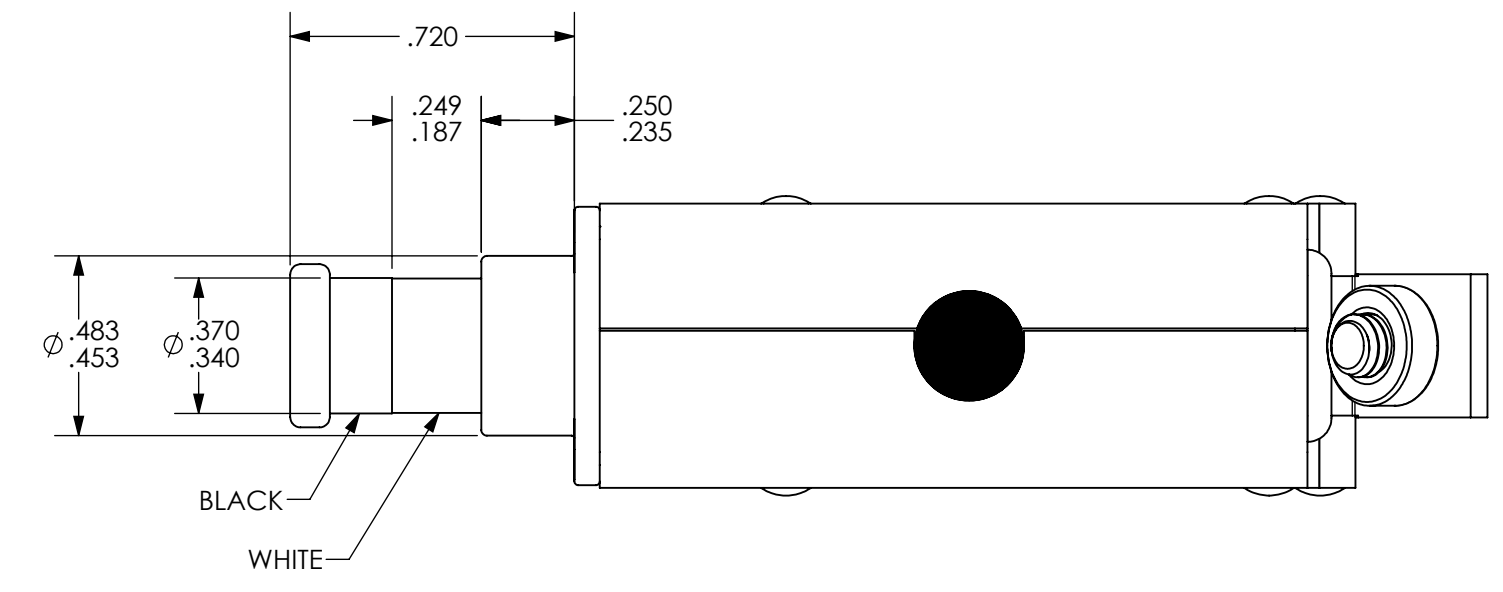
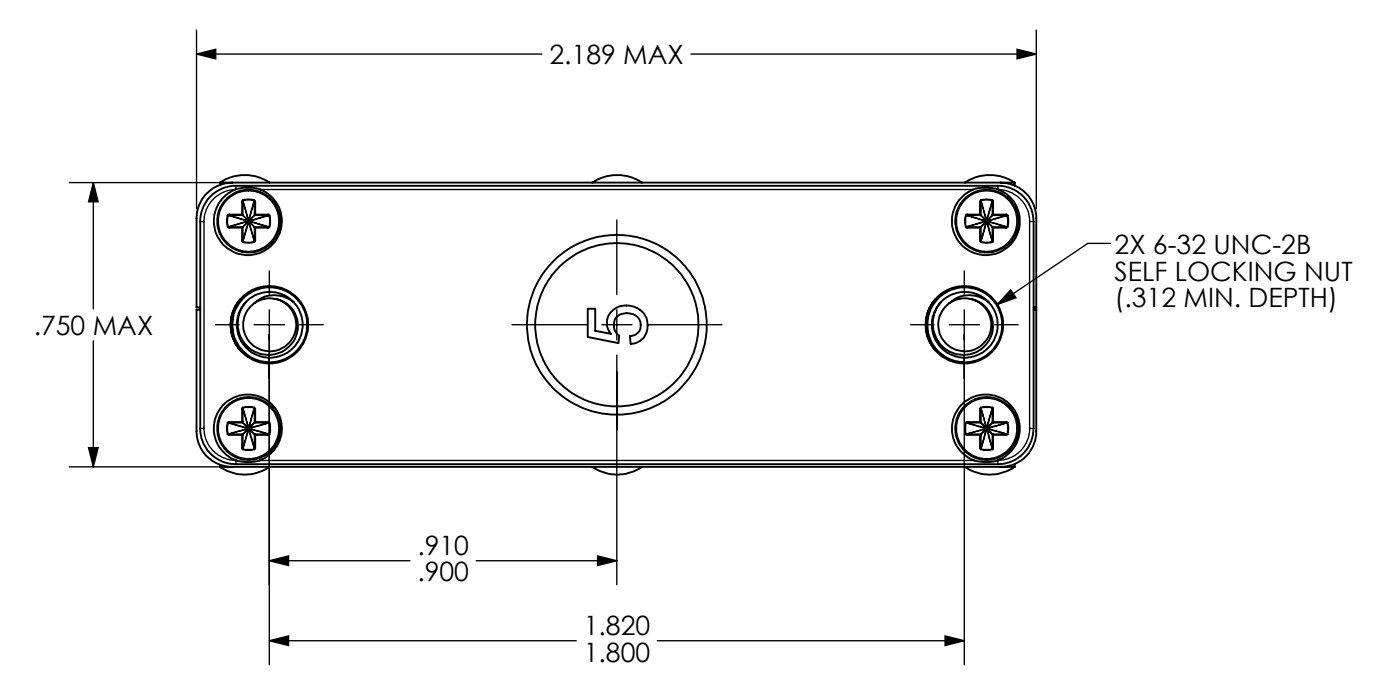
6. COORDINATION

BETWEEN RATINGS
2.5-5
5-10
7.5-15
10-20
15-35

7. OPERATING FORCE

OPENING:	CLOSING:
1.5-8.0 LBS.	4.0-12 LBS.

- 8. DIELECTRIC STRENGTH: 1500 VAC, R.M.S.
- 9. INSULATION RESISTANCE: 100 MEGOHMS @ 500 VDC
- 10. EXPLOSION PROOF: WHILE INTERRUPTING RUPTURE CURRENT
- 11. HUMIDITY: 240 HOURS
- 12. CORROSION RESISTANCE: 50 HOURS
- 13. SAND AND DUST: 12 HOURS
- 14. MECHANICAL SHOCK: 25 G FOR 11±1 MILLISECONDS
- 15. OVERLOAD CYCLING: 100 CYCLES @ 200% RATED CURRENT
- 16. FUNGUS RESISTANCE: 28 DAYS
- 17. STRENGTH OF TERMINALS: 25 LB. TENSILE LOAD, 20 IN-LBS. TORQUE LOAD
- 18. STRENGTH OF MOUNTING PROVISIONS: 30 LB. AXIAL LOAD, 10 IN-LBS. TORQUE LOAD
- 19. STRENGTH OF ACTUATOR: 25 LB. AXIAL LOAD, 40 LBS. NORMAL LOAD
- 20. ACCELERATION: 10 G'S FOR 1 MINUTE
- 21. RECLOSING: NO AUTOMATIC RECLOSE; RESETTABLE ONLY AFTER MOVING THE ACTUATOR TO THE FULL OPEN POSITION.
- 22. TRIP FREE



THIS DRAWING TAKES PRECEDENCE OVER MIL-C-27715 (USAF)

PART NUMBER	MS PART NUMBER	AMP RATING		TRIPPING TIME FROM -53.9° TO 93.3°C (TIME IN SECONDS)							
				200%		400%		1000%		3000%	
				MIN	MAX	MIN	MAX	MIN	MAX	MIN	MAX
6752-12-2 1/2	MS24571-2	-2 1/2	-2V	12	32	2.3	6.5	.32	1.1	.04	.155
6752-12-5	MS24571-5	-5	-5V	14	36	2.5	6.5	.45	1.1	.06	.13
6752-12-7 1/2	MS24571-7	-7 1/2	-7V	16	40	2.5	7.0	.34	1.1	.04	.12
6752-12-10	MS24571-10	-10	-10V	18	42	2.7	7.75	.45	1.2	.05	.125
6752-12-15	MS24571-15	-15	-15V	20	45	2.7	8.0	.36	1.2	.04	.13
6752-12-20	MS24571-20	-20	-20V	20	48	2.7	8.0	.36	1.2	.04	.12
6752-12-25	MS24571-25	-25	-25V	20	50	2.7	9.5	.36	1.2	.04	.12
6752-12-35	MS24571-35	-35	-35V	20	53	2.7	8.0	.36	1.2	.04	.12
6752-12-40		-40	-40V	20	53	2.7	8.0	.36	1.2	.04	.12
6752-12-50	MS24571-50	-50	-50V	20	55	2.7	10.0	.36	1.4		

FOR REFERENCE ONLY, CHECK LATEST REVISION BEFORE USE. PARTS MADE TO THIS PRINT MUST CONFORM TO E9898 REV. E.		529 PLEASANT STREET P.O. BOX 2964 ATTLEBORO, MA 02703	
DRAWN J.HORAN DATE 19-FEB-1963	SENSATA TECHNOLOGIES PROPRIETARY AND CONFIDENTIAL. NEITHER THIS PRINT NOR THE INFORMATION CONTAINED HEREON IS TO BE USED AGAINST THE INTERESTS OF SENSATA TECHNOLOGIES OR AGAINST THE INTERESTS OF ANY OF ITS AFFILIATED COMPANIES OR WHOLLY OWNED SUBSIDIARIES.		TITLE 6752-12 TYPE PUSH PULL CIRCUIT BREAKER ENVELOPE DRAWING
ENGINEER A.GENEST DATE 19-FEB-1963	INTERPRET DIMENSIONING AND TOLERANCING PER ASME Y14.5-2009. UNLESS OTHERWISE SPECIFIED DIMENSIONS ARE IN INCHES. TOLERANCES		SIZE D
APPROVED D.POTTS DATE 19-FEB-1963	DECIMALS X.XXX ±.030	ANGLES X.X° ±	REV. V
APPROVED D.POTTS DATE 19-FEB-1963	DO NOT SCALE DRAWING	THIRD ANGLE PROJECTION	SCALE 2:1 SOLIDWORKS SHEET 1 OF 1