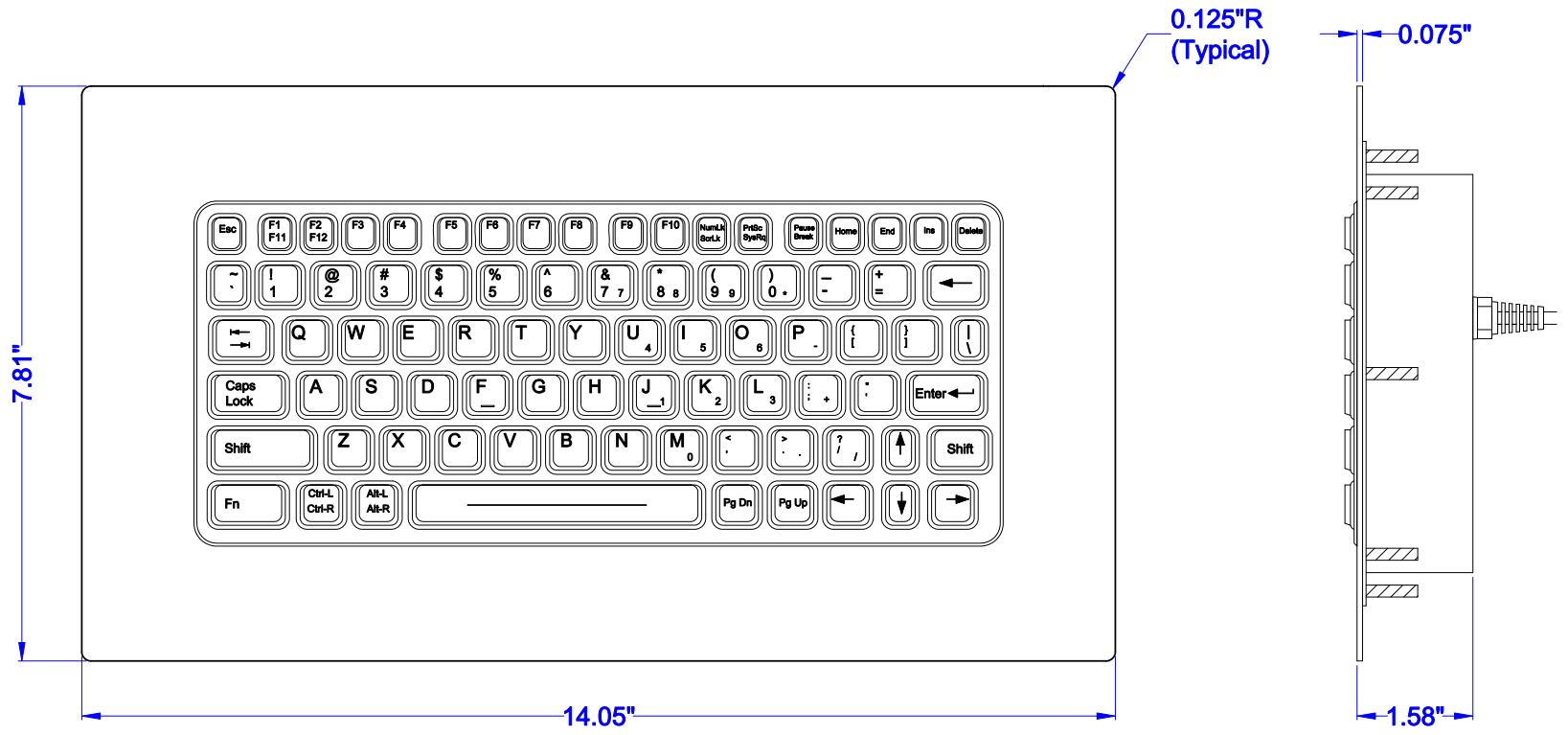


PM-81

DATE	CHANGES	INTL	REV
12.17.03	Original		1.0
12.09.08	Updated Format	JB	1.0
08.27.09	Added panel dimensions	JB	2.0



KEY SWITCH

MATERIAL: Industrial Silicone Rubber
LIFE: Greater Than 10 Million Cycles
TRAVEL: 0.055 in.
ACTUATION FORCE: 6.35 oz. +/- 1.06oz (180g +/- 30g)
FEEDBACK: Tactile with Mechanical Snap

POWER

PS2: 50mA@5V (from Keyboard port)
USB: 50mA@5V (from CPU port)

TEMPERATURE RANGE

STORAGE: -40°F to +194°F (-40°C to +90°C)
OPERATING: -40°F to +158°F (-40°C to +70°C)

HUMIDITY

100% Humidity Resistant

VIBRATION

POWER SPECTRAL DENSITY: .04g²/HZ
FREQUENCY RANGE: 20Hz-2KHz
DURATION OF TEST PER AXIS: 3 hours

SHOCK

3 X 11 ms pulses of 50g on each of 3 axis

WEIGHT

3.50 lbs +/- 0.10 lbs (1.59 kg +/- 0.05 kg)

PROPRIETARY AND CONFIDENTIAL

SCALE: 1:2.5



iKey, Ltd.
 2621 Ridgpoint Dr. Suite 235
 Austin, Texas 78754

©2008 iKey, Ltd.

Voice: (512) 837-0283
 Fax: (512) 927-8630

Part Number: PM-81

Drawing Title: PM-81-MKT

Drawing Number: MKT0018

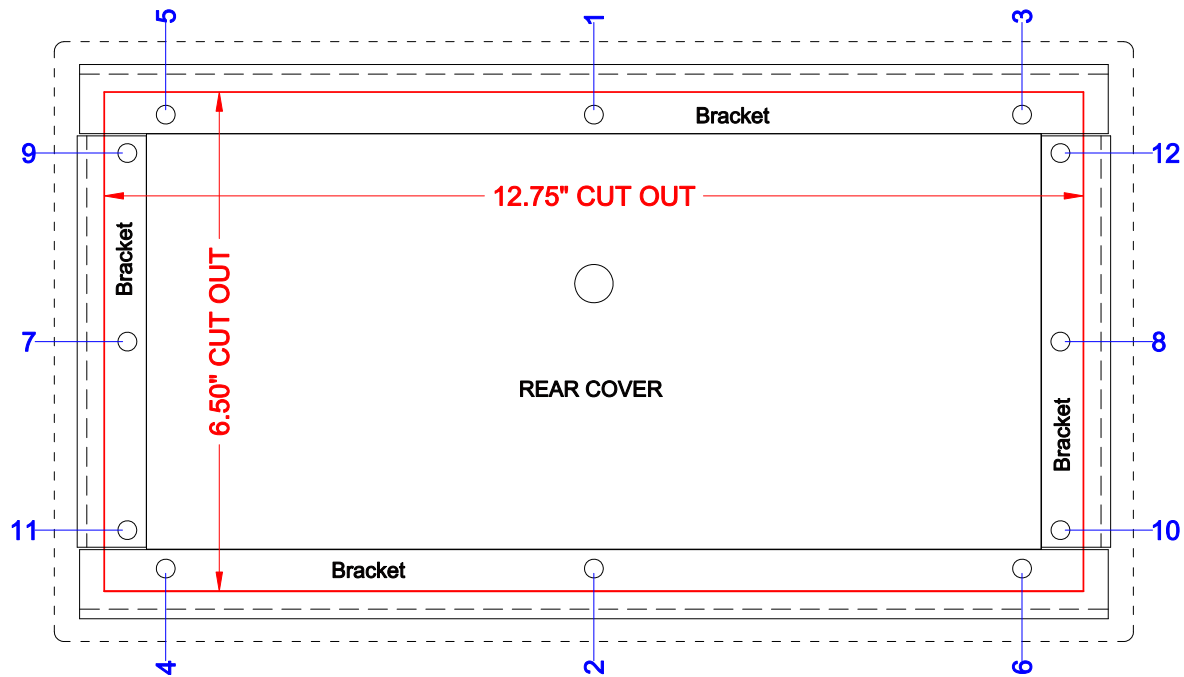
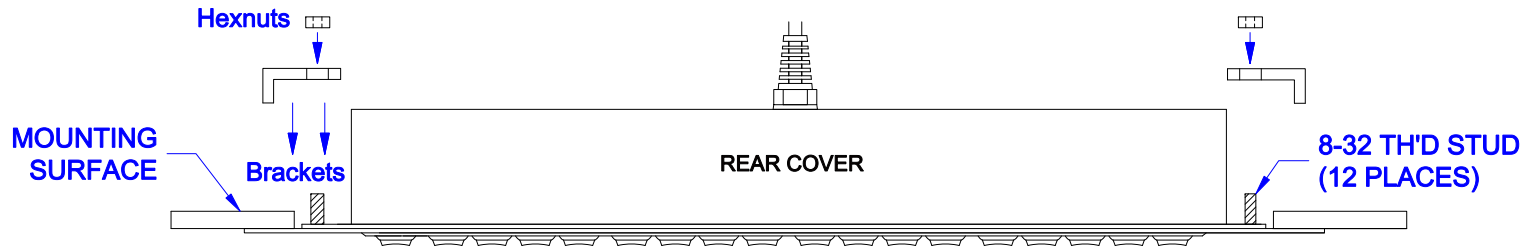
Revision: 2.0

Sheet: 1 OF 2

Date: 08.27.09

JWB

PM-81 BACK / MOUNTING



ENCLOSURE CASE: Stainless Steel

1. PLACE UNIT IN 6.5" x 12.75" CUT PIT
2. PLACE 4 BRACKETS ON EACH SIDE AND HAND TIGHTEN LOCKING HEXNUTS OVER ALL 12 8-32 STUDS
3. TIGHTEN WITH TORQUE WRENCH (15 IN.LB.) IN ORDER SHOWN (1-12) ABOVE

PROPRIETARY AND CONFIDENTIAL

SCALE: 1:2.5



iKey, Ltd.
2621 Ridgpoint Dr. Suite 235
Austin, Texas 78754

©2008 iKey, Ltd.
Voice: (512) 837-0283
Fax: (512) 927-8530

Part Number: PM-81
Drawing Title: PM-81-MKT

Drawing Number: MKT0018
Revision: 2.0

Sheet: 2 OF 2
Date: 08.27.09
JWB