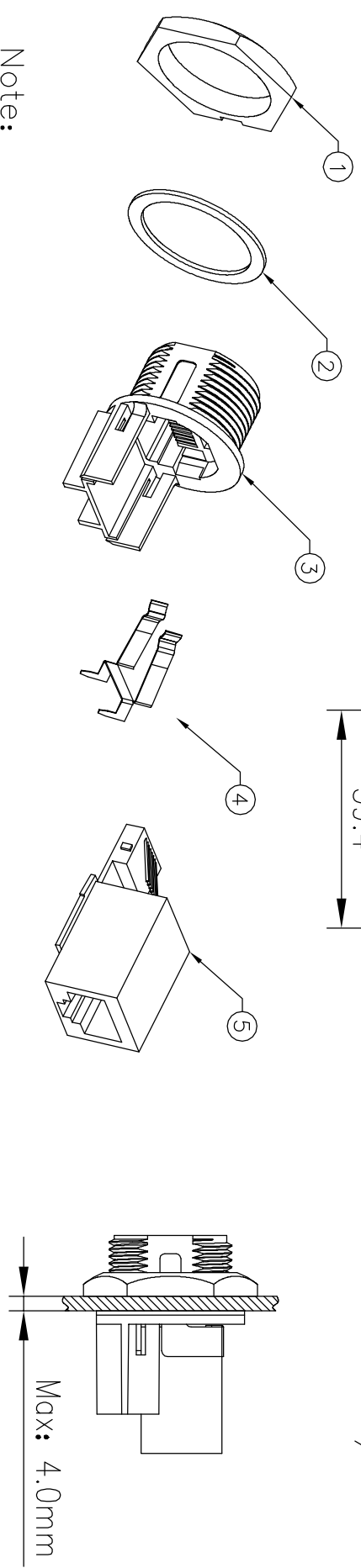
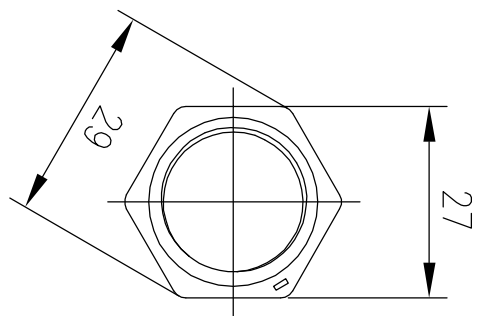
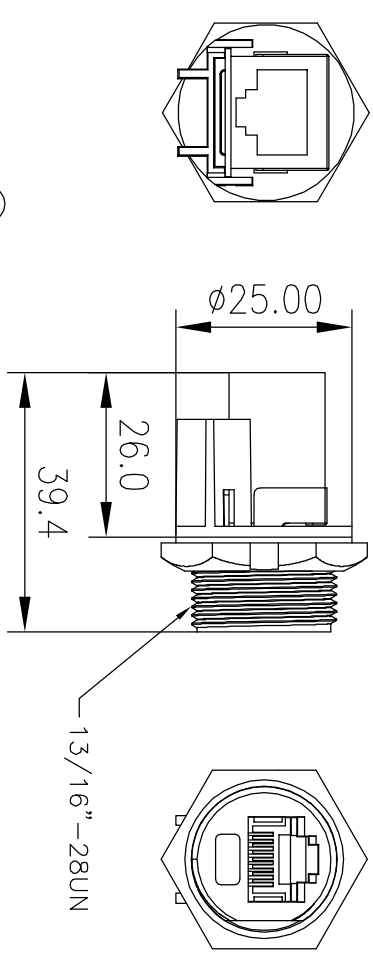
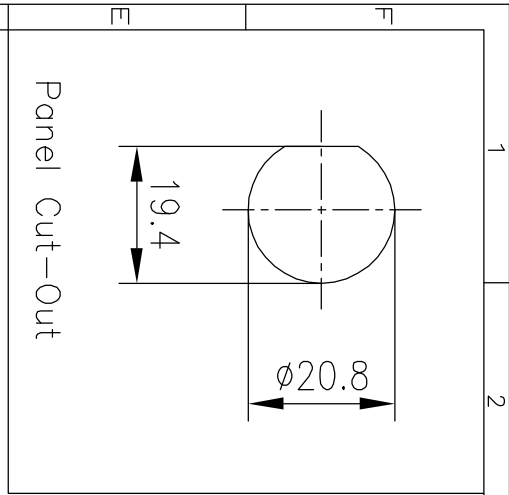


REV.	ECN NO.	DATE	SIGN	DESCRIPTION



Note:  
 1、< >important Dimensions To Check  
 2、Waterproof:IP67  
 3、Panel Thickness  $\leq 4.0mm$

5	PCBA			1	001
4	Sheet	Silver	Brass, Nickel Plated 50u"	1	
3	Clip Socket	Black	ABS, 94V-0	1	
2	Gasket	Grey	Silicon	1	
1	Nut	Black	Nylon+GF	1	
NO	NAME	COLOR	SPECIFICATION	QTY	NOTE

UNIT:mm  
 TOLERANCE  $\pm 0.5 mm$

TITLE RJ45 Panel Screw Conn With Housing  
 (180 degree)

SCALE Free  
 REV. A SIZE A4 SHEET 1 OF 1  
 : Inspection Item

**CHOGORI**

ITEM NO 33000000-01  
 DWG NO  
 CUSTOMER  
 DRAWN BY Xu Xianming  
 CHECKED BY Lee  
 APPROVED BY Panson  
 DATE 02/01/2012  
 DATE 02/01/2012  
 DATE 02/01/2012