



- 25 mm steel ball
- IP65 sealing
- compact

## 25 MM STEEL OEM TRACKBALLMODULE

The GS25 series are ruggedised professional trackballs. The ball and the trim are made of quality stainless steel. The double-sided seal ring provides sealing to IP65 static (ball in rest). Stainless steel shafts and bearings ensure a solid and precise pointer control. The unit has been designed to be back of panel mounted as part of OEM keyboards and consoles. The GS25 is an ideal pointing device for applications with restricted mounting space.

### GENERAL TECHNICAL SPECIFICATIONS

Sealing	: IP65 (static)
Casing material	: Polycarbonate
Ball & trim material	: Stainless steel
Ball colour	: Black
Ball diameter	: 25 mm
Weight	: 100 grams
Seal material	: PTFE composite
Shaft diameter	: 4,5 mm
Tracking force	: 65 grams nominal
Mounting angle	: Max. 60° to horizontal plane
Lifetime - Ball revolutions	: > 2 million
Supply voltage (quadrature)	: 5 Vdc +/- 5%
Supply current (quadrature)	: 6 mA typ
Storage temperature	: -25°C to +80°C
Operating temperature	: -10°C to +60°C
Relative humidity	: 95% non-condensing
Vibration	: 5G, 5-2KHz any plane

### CONNECTIVITY

The GS25-5502 is PS/2 compatible. The GS25-5602 can be plugged into any USB port or hub. Both types are supplied with 1,6m long shielded straight cables and external switch cables.

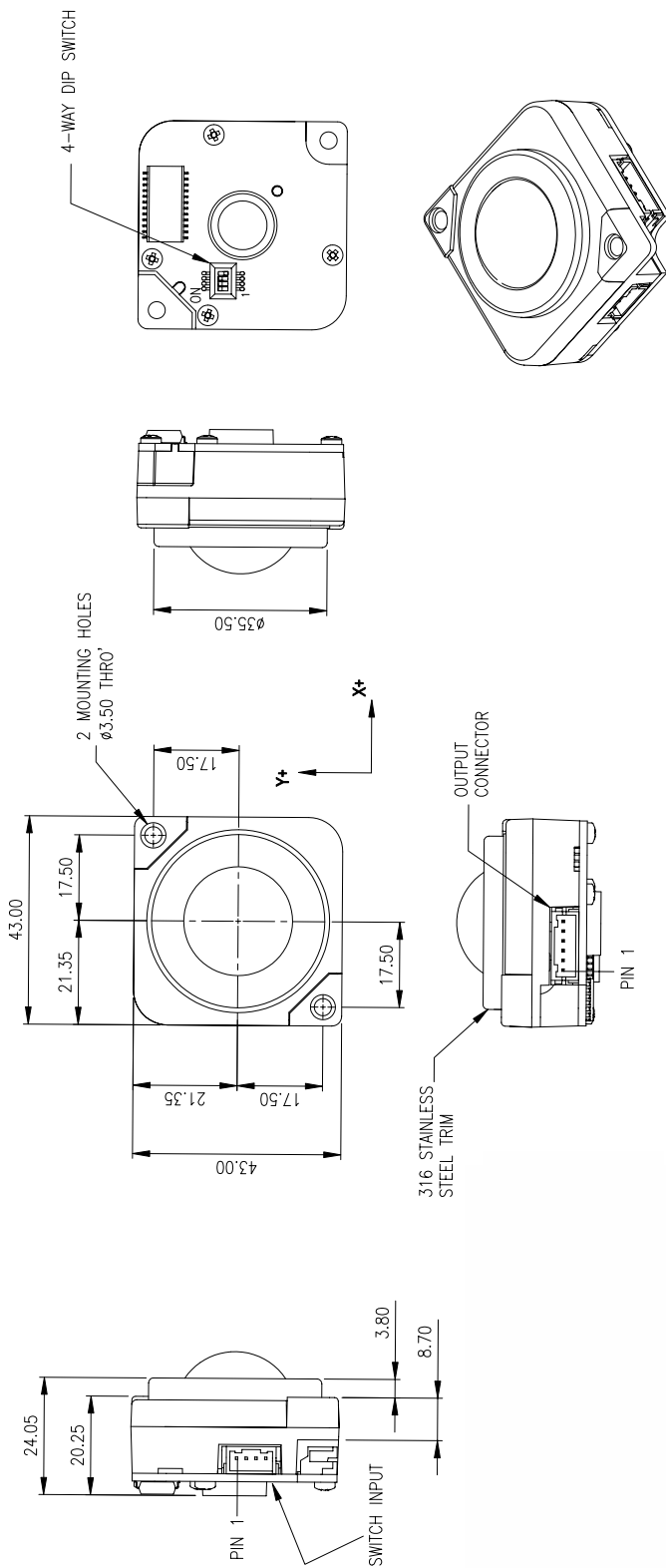
The GS25-5002 has phase quadrature output: X1(Y1) leads X2(Y2) when motion of ball in positive X(Y) direction. It is supplied with a 6-wire connection cable of 35 cm.

\* Due to the increasing differences of the mouse port specifications of the various PC manufacturers, we do recommend that this unit should be tested on the final PC configuration and operating system prior to installing it in series.

### ORDER INFO

OUTPUT	ORDER NUMBER	Consisting of :
Quadrature	<b>GS25-5002</b>	P25-5002CC : Trackball module only IC060635 : 35 cm interconnection cable to CON 1
PS/2	<b>GS25-5502</b>	P25-5602CC : Trackball module only OC6006160 : 1,6 m shielded PS/2 cable with 6 pin mini DIN plug IC040035 : 35 cm switch cable (4 wires) to CON2
USB	<b>GS25-5602</b>	P25-5602CC : Trackball module only OC5006160 : 1,6 m shielded cable with USB type A plug IC040035 : 35 cm switch cable (4 wires) to CON2

DIMENSIONAL DRAWING



Dip switches : leave off, for factory use

6 way connector (CON1)

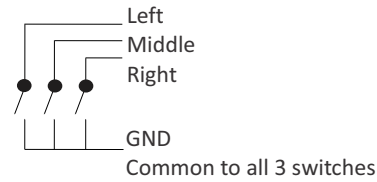
Pin	Quadrature	PS/2 & USB
1	X1	N.C
2	X2	N.C
3	+5VDC	+5VDC
4	Y1	D-/Data
5	Y2	D+/Clock
6	GND	GND

Connector type : JST PH Series 2,0mm pitch.  
Mating connector : JST KR Series 2,0mm pitch.

4 way connector (CON2)

Pin	Switch
1	Left Switch
2	Middle Switch
3	Right Switch
4	GND

Connector type : JST PH Series 2,0mm pitch.  
Mating connector : JST KR Series 2,0mm pitch.



\* important note : the mounting depth will increase from typical 23,2 mm to 28,0 mm when the antivandal/ESD kit is mounted.

Dim in mm.

The company reserves the right to alter without prior knowledge the specification or design of any standard product or service.