



- Available with X25, X38 and X50
- Sealing up to IP68
- Smooth operation in rugged environments
- Various colours and top plate configurations
- Custom connector options

BACKLIT LASER OPTICAL TRACKBALL MODULES

Utilizing the latest and most advanced laser tracking technology, the HALO Series laser Trackerball™ is an extremely high specification, contact-less device, ideal for use in low level light environments where accurate cursor control is critical.

The trackball incorporates an illuminated ring around the ball to enable the user to locate the trackball in low light environments and offers an ideal solution for applications where a backlit ball would be too obtrusive. The HALO feature can also be used to compliment other backlit features incorporated within a user interface panel and is available in a wide range of colours. The laser tracking engine provides accurate cursor motion at all speeds and on virtually any ball, combining the benefits of solid state sensing (no moving parts except the ball) The design also incorporates a removable top ring as standard to allow for easy cleaning, decontamination, sterilisation and maintenance - ensuring continued optimum performance and operation under the harshest of conditions. The trackball has been designed to be back of panel mounted as part of OEM keyboards and consoles..

GENERAL TECHNICAL SPECIFICATIONS

See details on datasheets of the X25, X38 or X50 laser trackballs. Same specifications except for the supply current : 80A typical, 130mA max. For dimensional drawings, see next page.

HALO LIGHT FEATURE

The X50 Series HALO trackball provides all the features of the standard X50 trackball module with the inclusion of an illuminated ring surrounding the ball. The light ring provides an excellent means of locating the trackball in low level light environments and also serves as an aesthetic feature to compliment other illuminated components incorporated within a user interface panel. The figures show the HALO feature in its powered and non-powered state.



Trackball light ring
Non-illuminated



Trackball light ring
Illuminated

ORDER INFO

TRACKBALL	OUTPUT	DAMPERRING	RUBBER SEAL	PTFE SEAL
25 mm ball	Quadrature	X25-70021D-KH0z	X25-70022D-KH0z	
	PS/2 & USB	X25-76021D-KH0z	X25-76022D-KH0z	
38 mm ball	Quadrature	X38-70021D-GH0z		X38-70023D-GH0z
	PS/2 & USB	X38-76021D-GH0z		X38-76023D-GH0z
50 mm ball	Quadrature	X50-70021D-GH0z		X50-70023D-GH0z
	PS/2 & USB	X50-76021D-GH0z		X50-76023D-GH0z



damper ring



rubber seal



PTFE seal

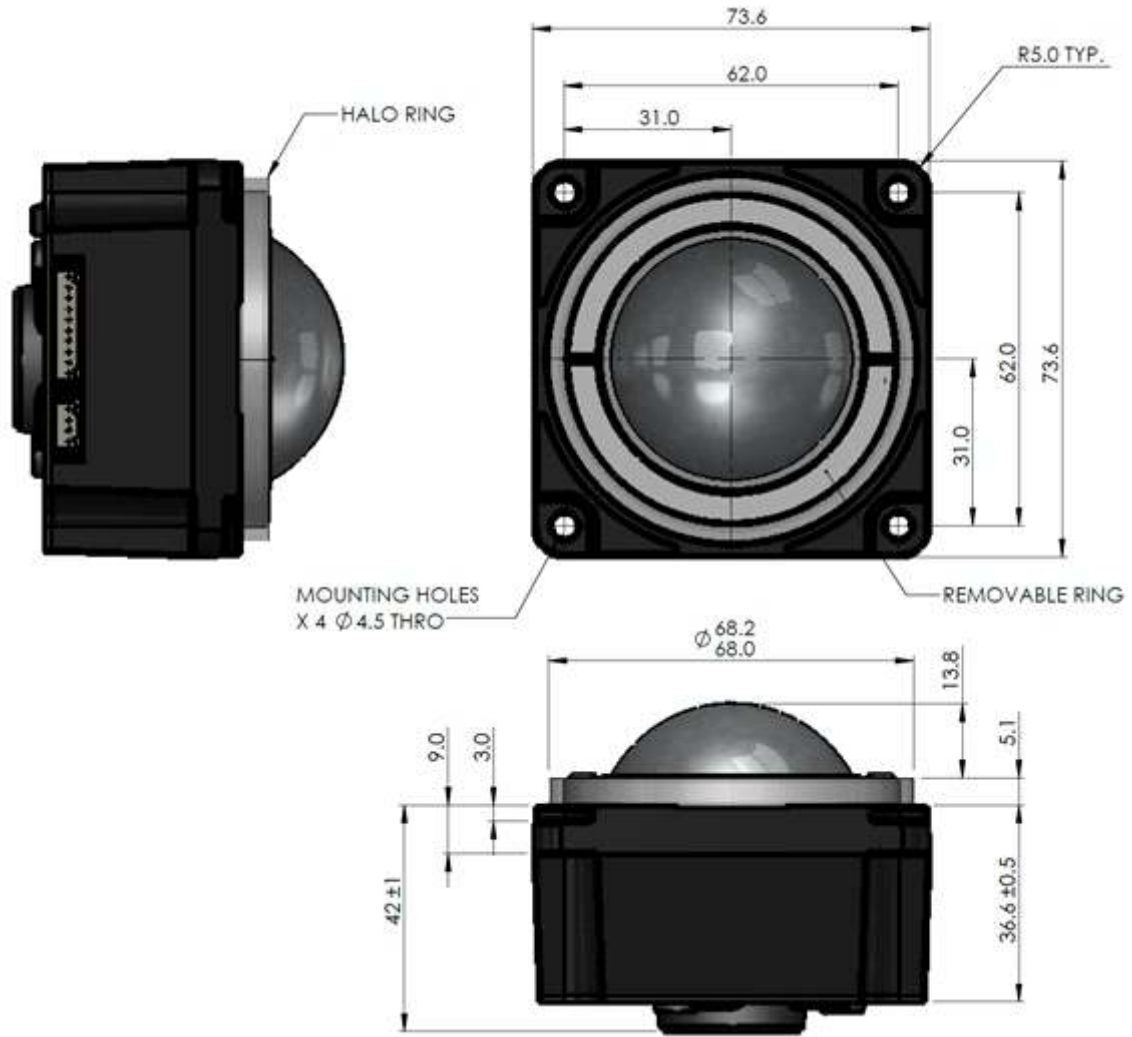
z = Halo backlit colour

B = Blue
G = Green
R = Red
W = White
Y = Yellow

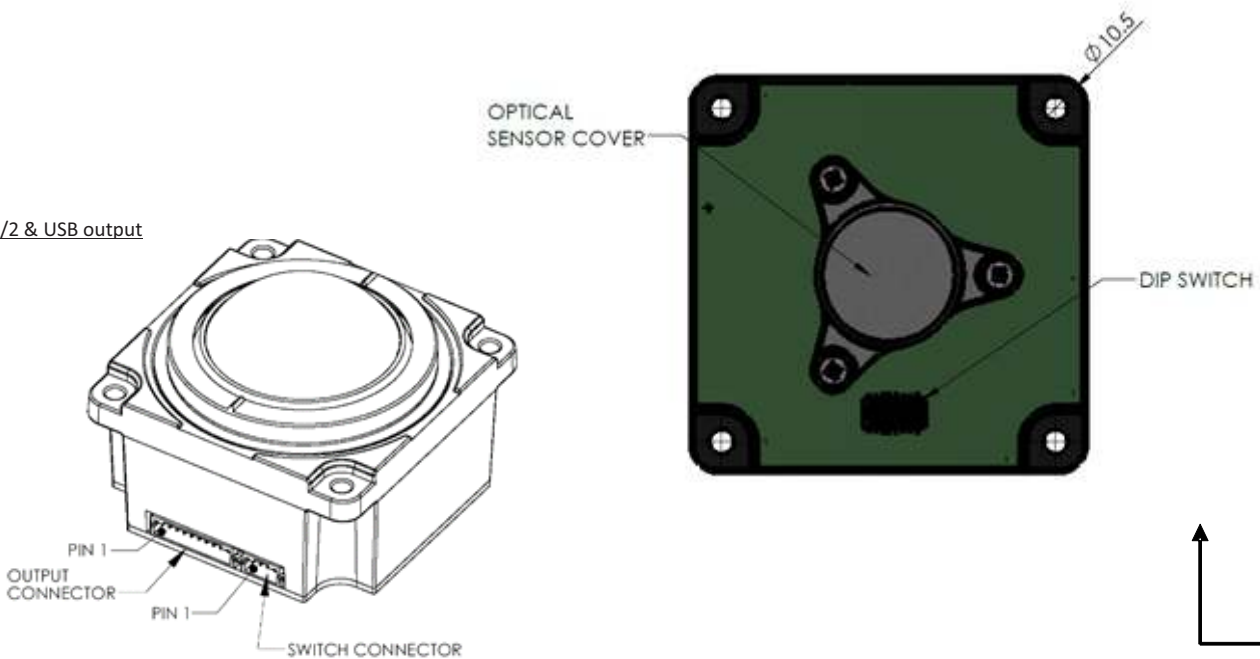
Optional cables

No cables are supplied with the optical trackball modules. They can be ordered separately. See details on datasheets of the X25, X38 or X50 laser trackballs. The Halo trackballs are no NSI stock item. Longer lead times can apply.

DIMENSIONAL DRAWING
X50 with Halo ring



PS/2 & USB output



dimensional drawings of the X25 and X38 with Halo on request

The company reserves the right to alter without prior knowledge the specification or design of any standard product or service.