



- 50 mm ball
- IP65 sealing
- stainless steel housing

## IEC60945 MARINE IP68 TRACKBALL - DESKTOP

The TSX50S8 is a waterproof and vandalproof industrial trackball unit and uses the latest generation of laser trackballs. This trackball is highly suited for harsh industrial environments thanks to its robustness and ease of maintenance. It features a removable top ring facilitating the cleaning of ball and ball compartment for use in even the most dusty environments. The concept itself of this laser trackballs makes it waterproof as well. The use of stainless steel for the various parts ensures the best resistance in salty or greasy environments. Due to its outstanding sealing, its professional style and its industrial robustness, this trackball unit is the best suited pointing device for all harsh or hostile environments, indoor and outdoor.

### GENERAL TECHNICAL SPECIFICATIONS

Sealing	: IP65
Carrier plate	: brushed stainless steel
Ball diameter	: 50,8 mm (2")
Ball material	: polyester
Dimensions / weight	: 114 x 198 x 67 mm / 1,3 kg
Lifetime	: >= 2 million ball revolutions
Tracking force	: nom. 50 grams
Output	: PS/2 & USB Combo
Cable	: 1 shielded, straight 1,6 m long
Operating temperature range	: -10°C to +60°C
Storage temperature range	: -25°C to +80°C
CE	: Compliant to EMC for Electromagnetic Compatibility. Low Voltage not applicable for our trackballs.

### CONNECTIVITY

This combo PS/2 & USB trackball unit has a 1,6 meter long shielded straight cable ended by a USB type A plug. An adaptor to PS/2 is added. No special device driver is needed, use standard available drivers of your operating system.

\* Due to the increasing differences of the PS/2 mouse port specifications of the various PC manufacturers, we do recommend that this unit should be tested on the final PC configuration and operating system prior to installing it in series.

### SWITCHES

#### Short travel switches

Sealing	IP68
Travel	0,5mm
Operating force	4N
Material	stainless steel
Mechanical life	3 million

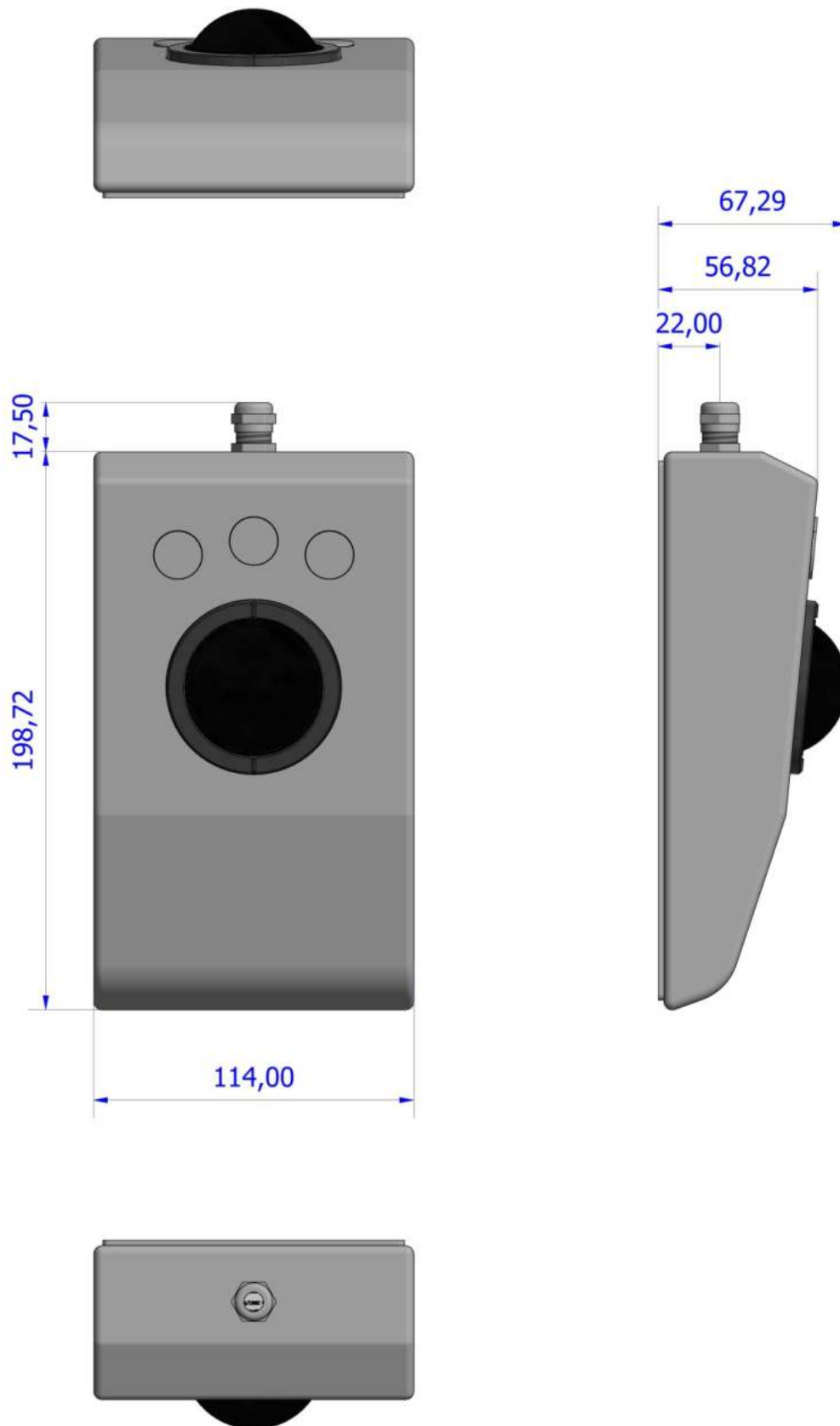
### ORDER INFO

Desktop version

**TSX50S8-0001-MC3**

Output : PS/2 &amp; USB Combo

## DIMENSIONAL DRAWING



Dim. in mm

The company reserves the right to alter without prior knowledge the specification or design of any standard product or service.