



- 50 mm optical ball
- IP67 sealing

IEC60945 MARINE WATERPROOF TRACKBALL

This ruggedized trackball is specially designed for harsh industrial environment applications : the self-adjusting PTFE seal of the trackerball guarantees an IP67 protection grade. This laser trackball has a large 50 mm ball, which make this unit the ideal solution for all applications where accurate pointer control is required. It features a removable top ring facilitating the cleaning of the ball and ball compartment.

Panel mount with bezel (incl. alu carrier plate, electronics and cable)

Intended for front panel mounting into users' cabinet or panel with a minimum of required space and mounting depth. The electronic parts on the backside are protected by a metal cover.

Dimensions / weight : 90 x 165,8 x 59,7 mm / 0,6 kg

MECHANICAL SPECIFICATIONS

Certificate of Conformity	: Fully compliant with IEC60945
Sealing	: IP67 frontal
Ball diameter	: 50,8 mm (2")
Ball material	: polyester
Tracking force	: nom. 50 grams
Keys	: short travel switches, tactile feel switches with 0,3 mm travel and 2,55 N operating force
Front layer	: Black polyester front layer with embossed keys, scratch and chemical resistant
Carrier plate	: black brushed anodized aluminium
Lifetime	: >= 2 million ball revolutions
Cable	: shielded, straight 1,6 m long
Operating temperature	: -10°C to +60°C
Storage temperature	: -25°C to +80°C
Switches	: tactile, 0,3 mm travel
Output	: PS/2 & USB Combo
Compass safe distance	: 0,5 m

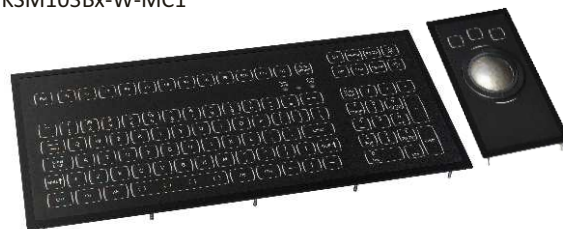
CONNECTIVITY

These combo PS/2 & USB trackball units have a 1,6 meter long shielded straight cable ended by a USB type A plug. An adaptor to PS/2 is added. No special device driver is needed, use standard available drivers of your operating system.

* Due to the increasing differences of the PS/2 mouse port specifications of the various PC manufacturers, we do recommend that this unit should be tested on the final PC configuration and operating system prior to installing it in series.

COMBINATION

The TSX50C1-0BT1-MC3 trackball is specially designed to use in combination with the NSI standard backlit keyboard KSM103Bx-W-MC1



ORDER INFO

panel mount

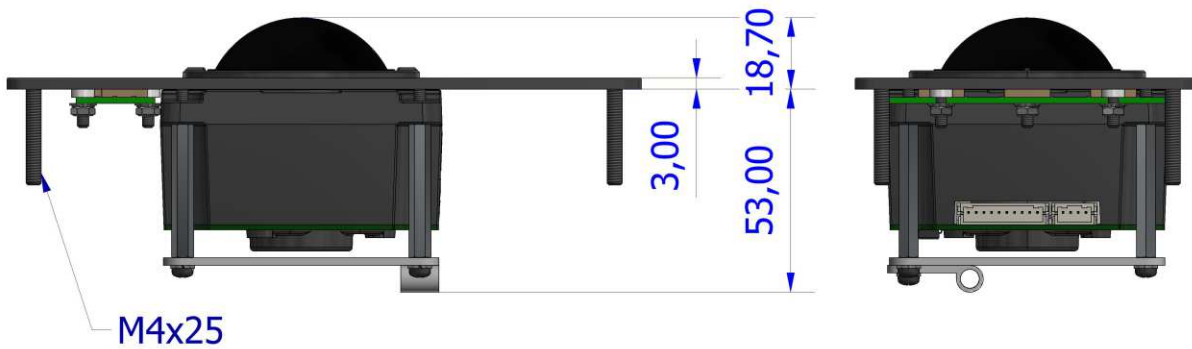
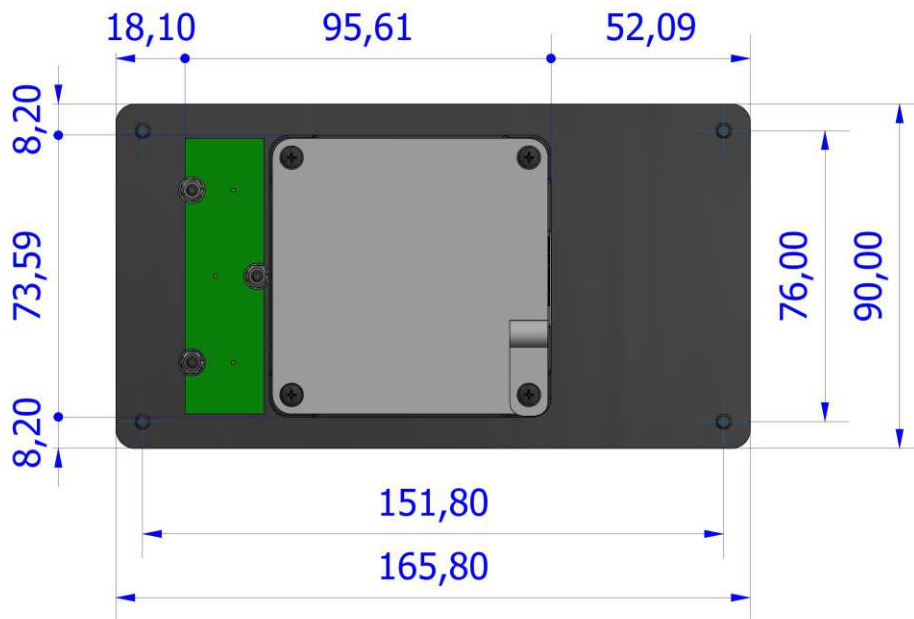
TSX50C1-0BT1-MC3

Output : PS/2 & USB Combo

This trackball is also available as non-certified version, see type TBX50



DIMENSIONAL DRAWING



The company reserves the right to alter without prior knowledge the specification or design of any standard product or service.