



- IP68 sealing
- stainless steel carrier
- vandalproof

WATERPROOF IP68 TOUCHPAD

The SPS55F8 features a capacitive type touchpad mounted into a stainless steel carrier plate, equipped with two stainless steel switches. The Solid State Touchpad and the switches are IP68 grade. The silicone sponge panel-seal, which is part of the supply, provides waterproof IP68 sealing for the total unit when properly mounted into the customers' panel.

The touchpad uses the "Field Distortion Technology" to sense the presence of the finger. The device is not pressure sensitive, a light touch is sufficient, tracking your fingertip precisely. Because of the capacitive working principle, the unit might not work with thicker gloves.

The unit is designed for harsh industrial applications, it will operate at all mounting angles and it does not require cleaning or maintenance. Therefore, it is very well suited for a wide range of applications, indoor and outdoor, such as public access- and information kiosks or terminals, navigation control, processing industry and many others.

GENERAL TECHNICAL SPECIFICATIONS

Sealing	: IP68 waterproof
Carrier plate	: stainless steel
Sensing area	: 55 x 39 mm
Tracking speed	: max 250 mm/sec
Switches	: stainless steel, short travel 0,5 mm operating force 4N typ.
Cable	: shielded, straight 1,6 m long
Resolution	: 100 - 300 dpi
Operating temperature	: -10°C to +60°C
Storage temperature	: -20°C to +70°C

CONNECTIVITY

These combo PS/2 & USB touchpad units have a 1,6 meter long shielded straight cable ended by a USB type A plug. An adaptor to PS/2 is added. No special device driver is needed, use standard available drivers of your operating system.

* Due to the increasing differences of the PS/2 mouse port specifications of the various PC manufacturers, we do recommend that this unit should be tested on the final PC configuration and operating system prior to installing it in series.

ORDER INFO

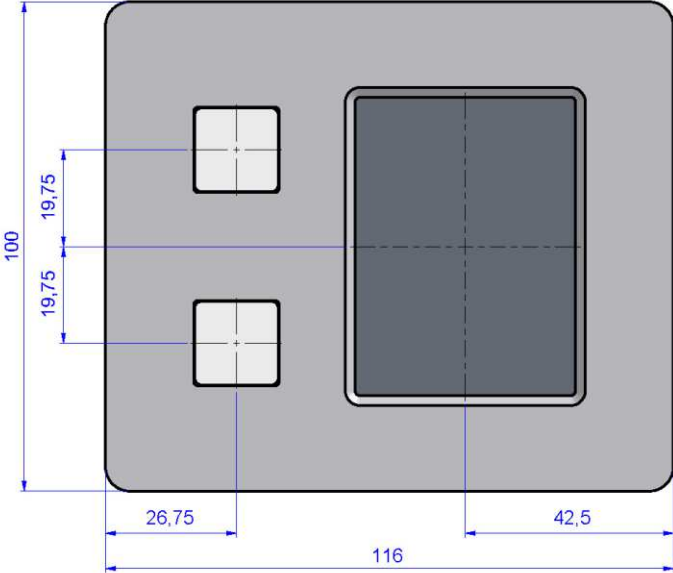
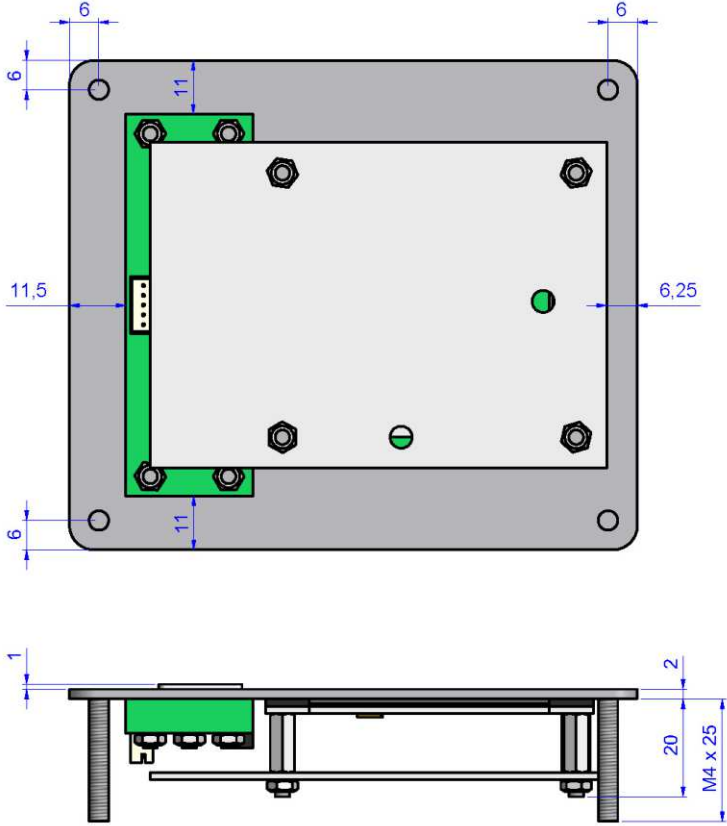
Waterproof touchpad

SPS55F8

Output : PS/2 & USB Combo



DIMENSIONAL DRAWING



Dim. in mm

The company reserves the right to alter without prior knowledge the specification or design of any standard product or service.