



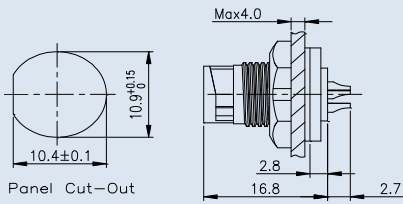
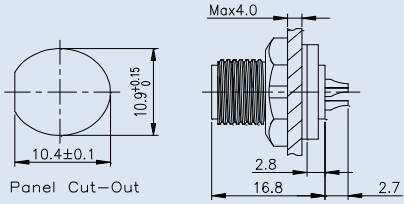
# MINI SERIES





## CHOGORI USA

### MINI Series Specifications

#### Mini Series , Front Panel Mount & Male pin

Description	Front Panel Mount Lock Bayonet Type, Solder	Front Panel Mount Screw Type, Solder
Figure		

Drawing	 <p>Panel Cut-Out</p>	 <p>Panel Cut-Out</p>
---------	--	---

Part-No.	Contacts	Part-Number	Contacts	Part-Number
	2	21002525-01 	2	21002515-01 
	3	21003525-01 	3	21003515-01 
	4(5A)	21004525-01	4(5A)	21004515-01
	4(2A)	21004525-02	4(2A)	21004515-02
	5	21005525-01	5	21005515-01
	6	21006525-01	6	21006515-01
	2+4	21204525-01	2+4	21204515-01
	7	21007525-01	7	21007515-01
	8	21008525-01	8	21008515-01

#### Specifications

Number of Contacts	2	3	4	4	5	6	2+4	7	8
Wire Gauge	20AWG				22AWG				
Panel Thickness	Max. 4.0mm								
Environmental Protection	IP67/IP68								
Mechanical Life	500 mating cycles								
Operating Temperature	- 45°C - 105°C								
Voltage Rating	110V	110V	110V	110V	50V	50V	50V	50V	50V
Rated Current(40°C)	5A	5A	5A	2A	2A	2A	5+2A	2A	2A

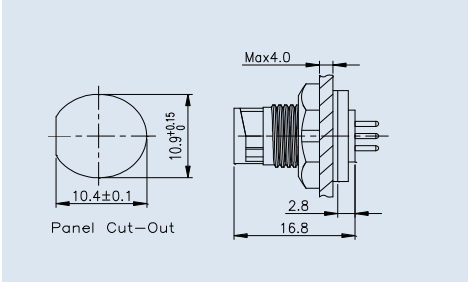
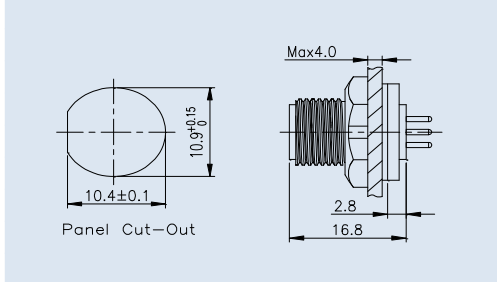
# MINI SERIES

## CHOGORI USA

### MINI Series Specifications

#### Mini Series , Front Panel Mount & Male pin

Description	Front Panel Mount Lock Bayonet Type, PCB	Front Panel Mount Screw Type, PCB
Figure		

Drawing		
---------	--	---

Part-No.	Lock Bayonet Type		Screw Type	
	Contacts	Part-Number	Contacts	Part-Number
	2	21002525-02	2	21002515-02
	3	21003525-02	3	21003515-02
	4(2A)	21004525-05	4(2A)	21004515-05
	4(5A)	21004525-06	4(5A)	21004515-06
	5	21005525-02	5	21005515-02
	6	21006525-02	6	21006515-02
	2+4	21204525-02	2+4	21204515-02
	7	21007525-02	7	21007515-02
	8	21008525-02	8	21008515-02

Specifications									
Number of Contacts	2	3	4	4	5	6	2+4	7	8
Wire Gauge	20AWG				22AWG				
Panel Thickness	Max. 4.0mm								
Environmental Protection	IP67/IP68								
Mechanical Life	500 mating cycles								
Operating Temperature	- 45°C - 105°C								
Voltage Rating	110V	110V	110V	110V	50V	50V	50V	50V	50V
Rated Current(40°C)	5A	5A	5A	2A	2A	2A	5+2A	2A	2A

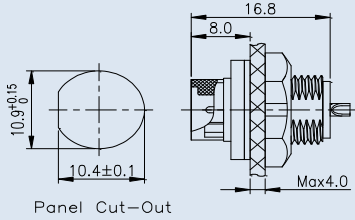
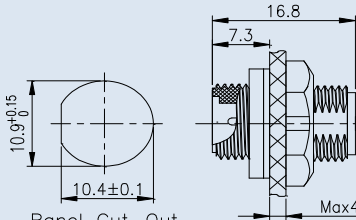
# MINI SERIES





## CHOGORI USA

### MINI Series Specifications

#### Mini Series , Rear Panel Mount & Male pin

Description	Rear Panel Mount Lock Bayonet Type, Solder	Rear Panel Mount Screw Type, Solder
Figure		

Drawing		
---------	---	--

Part-No.	Lock Bayonet Type		Screw Type	
	Contacts	Part-Number	Contacts	Part-Number
	2	21002525-03 	2	21002515-03 
	3	21003525-03 	3	21003515-03 
	4(5A)	21004525-03	4(5A)	21004515-03
	4(2A)	21004525-04	4(2A)	21004515-04
	5	21005525-03	5	21005515-03
	6	21006525-03	6	21006515-03
	2+4	21204525-03	2+4	21204515-03
	7	21007525-03	7	21007515-03
	8	21008525-03	8	21008515-03

#### Specifications



Number of Contacts	2	3	4	4	5	6	2+4	7	8
Wire Gauge	20AWG				22AWG				
Panel Thickness	Max. 4.0mm								
Environmental Protection	IP67/IP68								
Mechanical Life	500 mating cycles								
Operating Temperature	- 45°C - 105°C								
Voltage Rating	110V	110V	110V	110V	50V	50V	50V	50V	50V
Rated Current(40°C)	5A	5A	5A	2A	2A	2A	5+2A	2A	2A

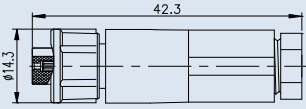
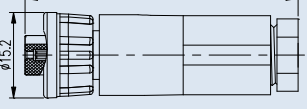
# MINI SERIES





## CHOGORI USA

### MINI Series Specifications

#### Mini Series, Male connector & Female pin

Description	Field Installable, 180° Lock Bayonet Type, Solder	Field Installable, 180° Screw Type, Solder
Figure		

Drawing		
---------	---	--

Part-No.	Contacts	Cable Range(mm)	Part-Number	Contacts	Cable Range(mm)	Part-Number
	2	3.5 - 6.8	21002221-01 	2	3.5 - 6.8	21002211-01 
	3	3.5 - 6.8	21003221-01 	3	3.5 - 6.8	21003211-01 
	4(5A)	3.5 - 6.8	21004221-01	4(5A)	3.5 - 6.8	21004211-01
	4(2A)	3.5 - 6.8	21004221-02	4(2A)	3.5 - 6.8	21004211-02
	5	3.5 - 6.8	21005221-01	5	3.5 - 6.8	21005211-01
	6	3.5 - 6.8	21006221-01	6	3.5 - 6.8	21006211-01
	2+4	3.5 - 6.8	21204221-01	2+4	3.5 - 6.8	21204211-01
	7	3.5 - 6.8	21007221-01	7	3.5 - 6.8	21007211-01
	8	3.5 - 6.8	21008221-01	8	3.5 - 6.8	21008211-01

#### Specifications



Number of Contacts	2	3	4	4	5	6	2+4	7	8	
Wire Gauge	20AWG				22AWG					
Cable Range	3.5mm - 6.8mm									
Environmental Protection	IP67/IP68									
Mechanical Life	500 mating cycles									
Operating Temperature	- 45°C - 105°C									
Voltage Rating	110V	110V	110V	110V	50V	50V	50V	50V	50V	
Rated Current(40°C)	5A	5A	5A	2A	2A	2A	5+2A	2A	2A	

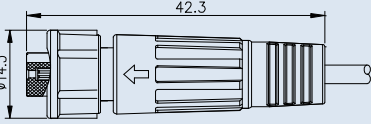
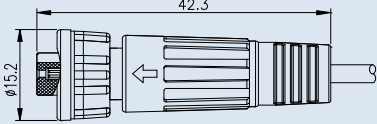
# MINI SERIES




## CHOGORI USA

### MINI Series Specifications

#### Mini Series , Male connector & Female pin

Description	Molded, 180° Lock Bayonet Type, Solder	Molded, 180° Screw Type, Solder
Figure		

Drawing		
---------	---	--

Part-No.	Contacts	Cable Range(mm)	Part-Number	Contacts	Cable Range(mm)	Part-Number
	2	max7.2	21002223-01-XXX 	2	max7.2	21002213-01-XXX 
	3	max7.2	21003223-01-XXX 	3	max7.2	21003213-01-XXX 
	4(5A)	max7.2	21004223-01-XXX	4(5A)	max7.2	21004213-01-XXX
	4(2A)	max7.2	21004223-02-XXX	4(2A)	max7.2	21004213-02-XXX
	5	max7.2	21005223-01-XXX	5	max7.2	21005213-01-XXX
	6	max7.2	21006223-01-XXX	6	max7.2	21006213-01-XXX
	2+4	max7.2	21204223-01-XXX	2+4	max7.2	21204213-01-XXX
	7	max7.2	21007223-01-XXX	7	max7.2	21007213-01-XXX
	8	max7.2	21008223-01-XXX	8	max7.2	21008213-01-XXX



Specifications									
Number of Contacts	2	3	4	4	5	6	2+4	7	8
Wire Gauge	20AWG				22AWG				
Cable Range	Max. 7.2mm								
Environmental Protection	IP67								
Mechanical Life	500 mating cycles								
Operating Temperature	- 40°C - 80°C								
Voltage Rating	110V	110V	110V	110V	50V	50V	50V	50V	50V
Rated Current(40°C)	5A	5A	5A	2A	2A	2A	5+2A	2A	2A

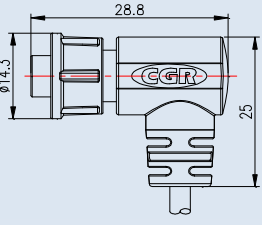
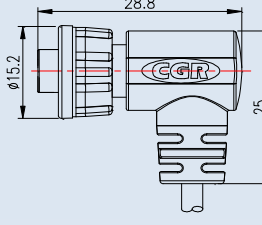
# MINI SERIES





## CHOGORI USA

### MINI Series Specifications

#### Mini Series , Male connector & Female pin

Description	Molded, 90° Lock Bayonet Type, Solder	Molded, 90° Screw Type, Solder
Figure		

Drawing		
---------	--	---

Part-No.	Lock Bayonet Type			Screw Type		
	Contacts	Cable Range(mm)	Part-Number	Contacts	Cable Range(mm)	Part-Number
	2	max7.2	21002224-01-XXX 	2	max7.2	21002214-01-XXX 
	3	max7.2	21003224-01-XXX 	3	max7.2	21003214-01-XXX 
	4(5A)	max7.2	21004224-01-XXX	4(5A)	max7.2	21004214-01-XXX
	4(2A)	max7.2	21004224-02-XXX	4(2A)	max7.2	21004214-02-XXX
	5	max7.2	21005224-01-XXX	5	max7.2	21005214-01-XXX
	6	max7.2	21006224-01-XXX	6	max7.2	21006214-01-XXX
	2+4	max7.2	21204224-01-XXX	2+4	max7.2	21204214-01-XXX
	7	max7.2	21007224-01-XXX	7	max7.2	21007214-01-XXX
	8	max7.2	21008224-01-XXX	8	max7.2	21008214-01-XXX



Specifications									
Number of Contacts	2	3	4	4	5	6	2+4	7	8
Wire Gauge	20AWG				22AWG				
Cable Range	Max. 7.2mm								
Environmental Protection	IP67								
Mechanical Life	500 mating cycles								
Operating Temperature	- 40 °C - 80 °C								
Voltage Rating	110V	110V	110V	110V	50V	50V	50V	50V	50V
Rated Current(40°C)	5A	5A	5A	2A	2A	2A	5+2A	2A	2A

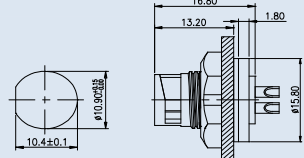
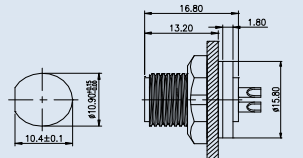
# MINI SERIES

## CHOGORI USA



### MINI Series Specifications

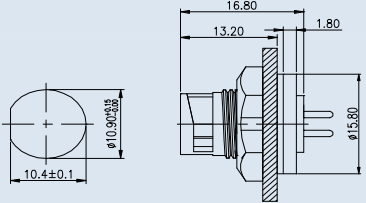
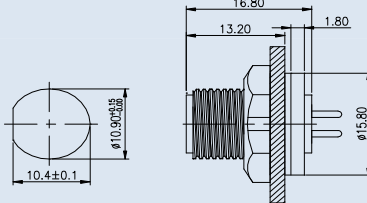
#### Mini Series , Front Panel Mount & Female pin

Description	Front Panel Mount Lock Bayonet Type, Solder	Front Panel Mount Screw Type, Solder
Figure		

Drawing		
---------	---	--

Part-No.	Contacts	Part-Number	Contacts	Part-Number
		2	21002625-01	2
	3	21003625-01	3	21003615-01
	4	21004625-01	4	21004615-01

Description	Front Panel Mount Lock Bayonet Type, PCB	Front Panel Mount Screw Type, PCB
Figure		

Drawing		
---------	---	--

Part-No.	Contacts	Part-Number	Contacts	Part-Number
		4	21004625-02	4



Specifications	
Number of Contacts	4
Wire Gauge	22AWG
Panel Thickness	Max. 4.0mm
Environmental Protection	IP67/IP68
Mechanical Life	500 mating cycles
Operating Temperature	- 45°C - 105°C
Voltage Rating	50V
Rated Current(40°C)	5A

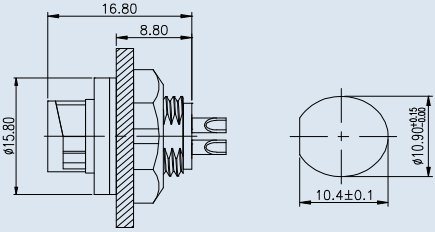
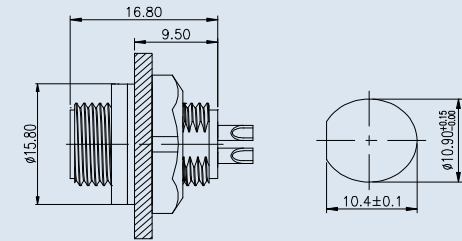
# MINI SERIES

## CHOGORI USA

### MINI Series Specifications

#### Mini Series , Rear Panel Mount & Female pin

Description	Rear Panel Mount Lock Bayonet Type, Solder	Rear Panel Mount Screw Type, Solder
Figure		

Drawing		
---------	--	---

Part-No.	Contacts	Part-Number	Contacts	Part-Number
	4	21004625-03	4	21004615-03

Specifications	
Number of Contacts	4
Wire Gauge	22AWG
Panel Thickness	Max. 4.0mm
Environmental Protection	IP67/IP68
Mechanical Life	500 mating cycles
Operating Temperature	- 45°C - 105°C
Voltage Rating	50V
Rated Current(40°C)	5A





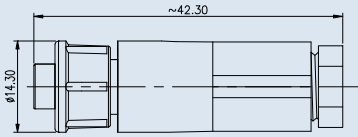
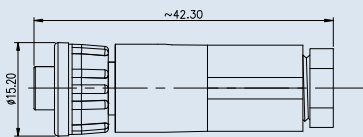
# MINI SERIES

## CHOGORI USA



### MINI Series Specifications

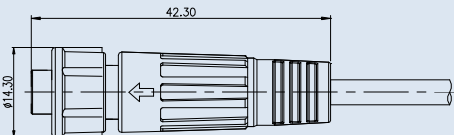
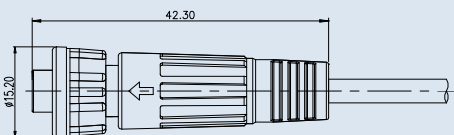
#### Mini Series Male connector & Male pin

Description	Field Installable, 180° Lock Bayonet Type, Solder	Field Installable, 180° Screw Type, Solder
Figure		

Drawing		
---------	---	--

Part-No.	Contacts	Cable Range(mm)	Part-Number	Contacts	Cable Range(mm)	Part-Number
	4	3.5 - 6.8	21004121-01	4	3.5 - 6.8	21004111-01

Description	Molded, 180° Lock Bayonet Type, Solder	Molded, 180° Screw Type, Solder
Figure		

Drawing		
---------	---	--

Part-No.	Contacts	Cable Range(mm)	Part-Number	Contacts	Cable Range(mm)	Part-Number
	4	3.5 - 6.8	21004123-01-XXX	4	3.5 - 6.8	21004113-01-XXX



Specifications	
Number of Contacts	4
Wire Gauge	22AWG
Cable Range	3.5mm - 6.8mm
Environmental Protection	IP67
Mechanical Life	500 mating cycles
Operating Temperature	- 40°C - 80°C
Voltage Rating	50V
Rated Current(40°C)	5A

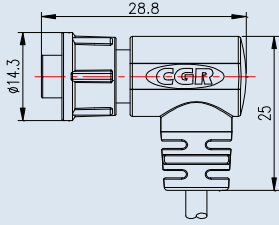
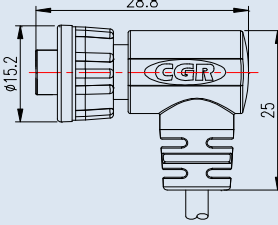
# MINI SERIES

## CHOGORI USA

### MINI Series Specifications

#### Mini Series , Male connector & Male pin

Description	Molded, 90° Lock Bayonet Type, Solder	Molded, 90° Screw Type, Solder
Figure		

Drawing		
---------	--	---

Part-No.	Contacts	Cable Range(mm)	Part-Number	Contacts	Cable Range(mm)	Part-Number
	4	Max. 7.2	21004124-02-XXX	4	Max. 7.2	21004114-02-XXX

Specifications									
Number of Contacts	2	3	4	4	5	6	2+4	7	8
Wire Gauge	20AWG				22AWG				
Cable Range	Max. 7.2mm								
Environmental Protection	IP67								
Mechanical Life	500 mating cycles								
Operating Temperature	- 40°C - 80°C								
Voltage Rating	50V								
Rated Current(40°C)	5A								

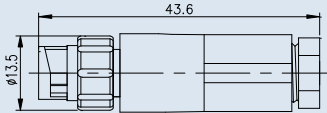
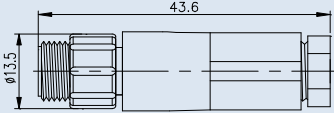
# MINI SERIES





## CHOGORI USA

### MINI Series Specifications

#### Mini Series , Female connector & Male pin

Description	Field Installable, 180° Lock Bayonet Type, Solder	Field Installable, 180° Screw Type, Solder
Figure		

Drawing		
---------	---	--

Part-No.	Lock Bayonet Type			Screw Type		
	Contacts	Cable Range(mm)	Part-Number	Contacts	Cable Range(mm)	Part-Number
	2	3.5 - 6.8	21002321-01 	2	3.5 - 6.8	21002311-01 
	3	3.5 - 6.8	21003321-01 	3	3.5 - 6.8	21003311-01 
	4(5A)	3.5 - 6.8	21004321-01	4(5A)	3.5 - 6.8	21004311-01
	4(2A)	3.5 - 6.8	21004321-02	4(2A)	3.5 - 6.8	21004311-02
	5	3.5 - 6.8	21005321-01	5	3.5 - 6.8	21005311-01
	6	3.5 - 6.8	21006321-01	6	3.5 - 6.8	21006311-01
	2+4	3.5 - 6.8	21204321-01	2+4	3.5 - 6.8	21204311-01
	7	3.5 - 6.8	21007321-01	7	3.5 - 6.8	21007311-01
	8	3.5 - 6.8	21008321-01	8	3.5 - 6.8	21008311-01

Specifications									
Number of Contacts	2	3	4	4	5	6	2+4	7	8
Wire Gauge	20AWG				22AWG				
Cable Range	3.5mm - 6.8mm								
Environmental Protection	IP67/IP68								
Mechanical Life	500 mating cycles								
Operating Temperature	- 45°C - 105°C								
Voltage Rating	110V	110V	110V	110V	50V	50V	50V	50V	50V
Rated Current(40°C)	5A	5A	5A	2A	2A	2A	5+2A	2A	2A

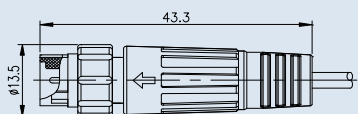
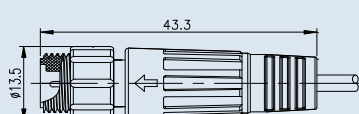
# MINI SERIES





## CHOGORI USA

### MINI Series Specifications

#### Mini Series , Female connector & Male pin

Description	Molded, 180° Lock Bayonet Type, Solder	Molded, 180° Screw Type, Solder
Figure		

Drawing		
---------	---	--

Part-No.	Female Connector			Male Pin		
	Contacts	Cable Range(mm)	Part-Number	Contacts	Cable Range(mm)	Part-Number
	2	Max. 7.2	21002323-01-XXX 	2	Max. 7.2	21002313-01-XXX 
	3	Max. 7.2	21003323-01-XXX 	3	Max. 7.2	21003313-01-XXX 
	4(5A)	Max. 7.2	21004323-01-XXX	4(5A)	Max. 7.2	21004313-01-XXX
	4(2A)	Max. 7.2	21004323-02-XXX	4(2A)	Max. 7.2	21004313-02-XXX
	5	Max. 7.2	21005323-01-XXX	5	Max. 7.2	21005313-01-XXX
	6	Max. 7.2	21006323-01-XXX	6	Max. 7.2	21006313-01-XXX
	2+4	Max. 7.2	21204323-01-XXX	2+4	Max. 7.2	21204313-01-XXX
	7	Max. 7.2	21007323-01-XXX	7	Max. 7.2	21007313-01-XXX
	8	Max. 7.2	21008323-01-XXX	8	Max. 7.2	21008313-01-XXX



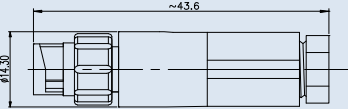
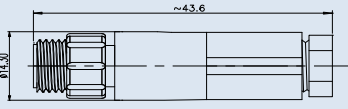
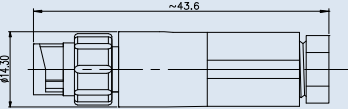
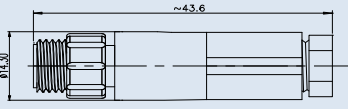
#### Specifications



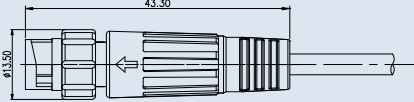
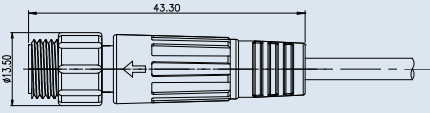
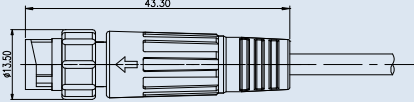
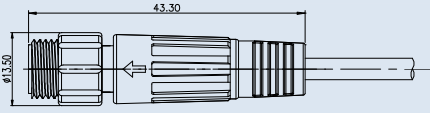
Number of Contacts	2	3	4	4	5	6	2+4	7	8
Wire Gauge	20AWG				22AWG				
Cable Range	Max. 7.2mm								
Environmental Protection	IP67								
Mechanical Life	500 mating cycles								
Operating Temperature	- 40 °C - 80 °C								
Voltage Rating	110V	110V	110V	110V	50V	50V	50V	50V	50V
Rated Current(40 °C)	5A	5A	5A	2A	2A	2A	5+2A	2A	2A

# MINI SERIES

## CHOGORI USA

### Mini Series , Female connector & Female pin

Description	Field Installable, 180° Lock Bayonet Type, Solder			Field Installable, 180° Screw Type, Solder		
						
Figure						
	Drawing					
Part-No.		Contacts	Cable Range(mm)	Part-Number	Contacts	Cable Range(mm)
	4	3.5 - 6.8	21004421-01	4	3.5 - 6.8	21004411-01

Description	Molded, 180° Lock Bayonet Type, Solder			Molded, 180° Screw Type, Solder		
						
Figure						
	Drawing					
Part-No.		Contacts	Cable Range(mm)	Part-Number	Contacts	Cable Range(mm)
	4	3.5 - 6.8	21004423-01-XXX	4	3.5 - 6.8	21004413-01-XXX

### Specifications

Number of Contacts	4
Wire Gauge	22AWG
Cable Range	3.5mm - 6.8mm
Environmental Protection	IP67
Mechanical Life	500 mating cycles
Operating Temperature	- 40°C - 80°C
Voltage Rating	50V
Rated Current(40°C)	5A