

Middle 3 Pin (20A)



Application

High Power and Lithium Charging

Advantages

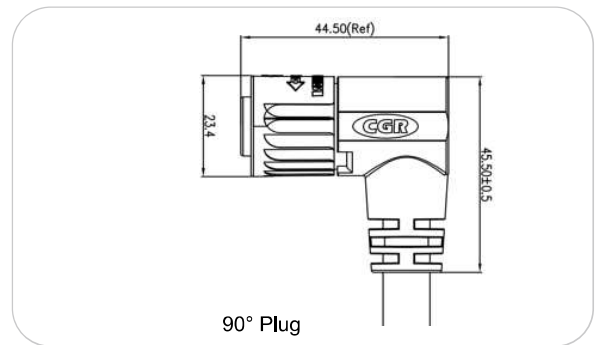
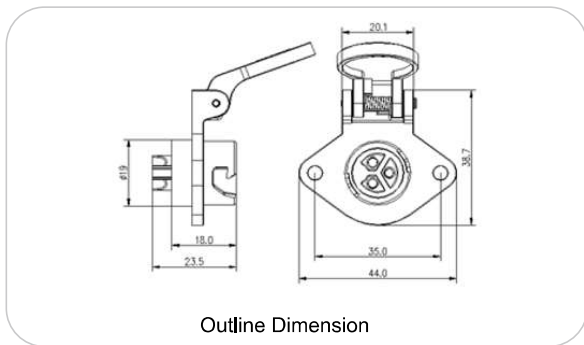
- Clamshell structure
- Push-lock mechanism
- Audible click when lock engaged
- ≥ 2000 times mating cycles
- One-piece plug injection molding with compact size
- RoHS and Reach Compliant



Specifications

Mating Cycle: ≥ 2000 Times	Voltage Rating: 250V DC	Operating Temperature: -40°C to 105°C	Shell: High Strength Thermoplastic Resin
Pullout Force: $< 100\text{N}$	Current Rating: 20A	IP Rating: IP67 Mated	Sealing: Silicone Rubber
Wire Processing: Solder	Withstand Voltage: 1500V AC	Salt Spray: 48h	Conductor: Copper Alloy, Silver/ Gold Plated
	Insulation Resistance: $> 100\text{M}\Omega$	Flammability Rating: UL94V-0	Wire Gauge: 12AWG/Max

Dimensions



Temperature Curve

