

Large 2+1+5 Pin (50A+5A)

APPLICATIONS

For E-scooter charging and discharging application



ADVANTAGES

- Push-lock mechanism
- With audible click when locking engaged
- ≥ 3000 times mating cycles
- Panel mount solution with 90 degree cable out to reduce the overall height
- Lock nut with wings available to make disconnecting more easier.
- RoHS and Reach Compliant

SPECIFICATIONS

Mating Cycle: ≥ 3000 Times

Pullout Force: $< 100\text{N}$

Wire processing: Solder

Voltage Rating: 80V DC

Current Rating: 2(50A) + 1(15A) + 5(5A)

Withstand Voltage: 1500V AC

Insulation Resistance: $> 100\text{M}\Omega$

Operating Temperature: -40°C to 105°C

IP Rating: IP67 Mated

Salt Spray: 48h

Flammability Rating: UL94V-0

Wire Gauge:

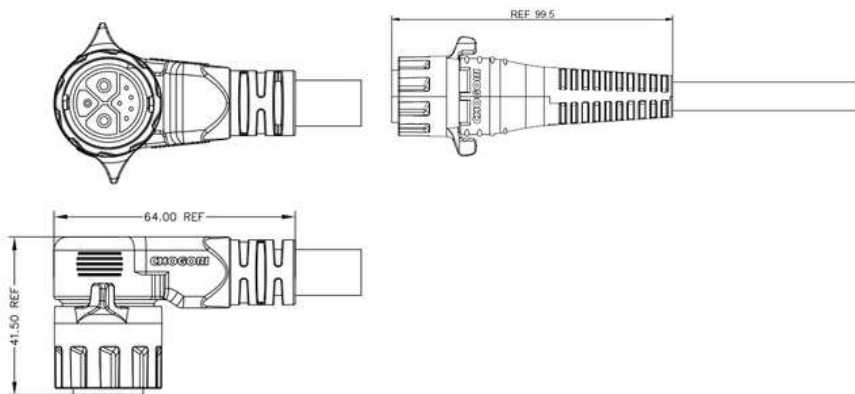
Power 9AWG/ Max

Signal 1 Pin 16AWG/ Max

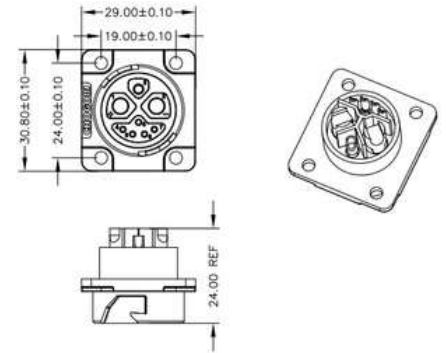
Signal 5 Pin 20AWG/ Max

DIMENSIONS

Male Plug



Female Receptacle



Panel Thickness: $\leq 5\text{mm}$

TEMPERATURE CURVE

Current 50A; Wire 9AWG

