

Mate 60 2+1+5 Pin (60A+10A)

CHOGORI®

Application

High Power and Lithium Charging

Advantages

- Push-lock mechanism
- Locking nut with hand grip
- IPXXB, IP67
- Audible click when lock engaged
- ≥3000 times mating cycles
- RoHS and Reach Compliant



Specifications

Mating Cycle: ≥3000 Times

Voltage Rating: 80V DC

Operating Temperature: -40°C to 105°C

Shell: High Strength Thermoplastic Resin

Pullout Force: <100N

Current Rating: 60A+10A

IP Rating: IP67 Mated And Unmated

Sealing: Silicone Rubber

Wire Processing: Crimp

Peak Current: Power 80A 60S

Salt Spray: 48h

Conductor: Copper Alloy, Silver/ Gold Plated

Withstand Voltage: 1500V AC

Flammability Rating: UL94V-0

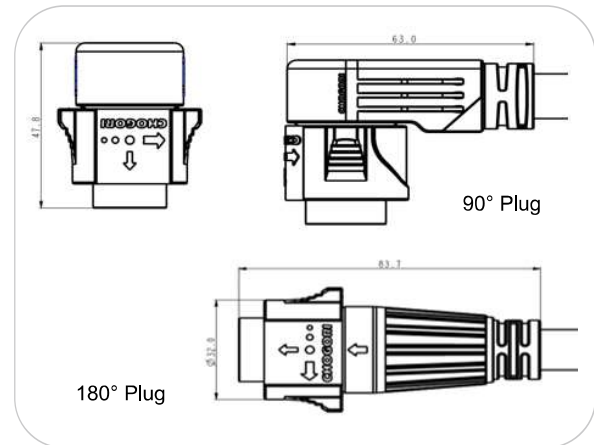
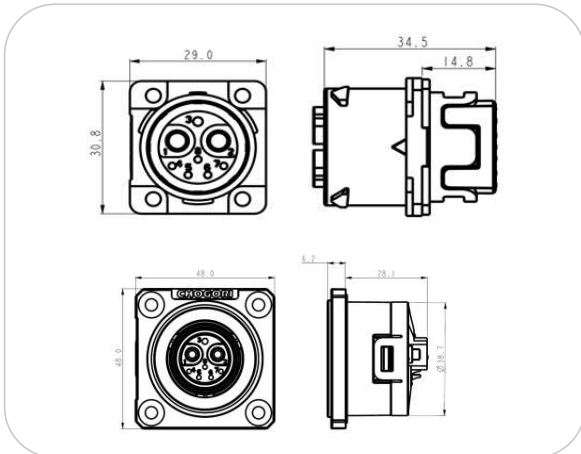
Wire Gauge: Power 2 Pin 8AWG/Max

Insulation Resistance: >100MΩ

Signal 1 Pin 16AWG/Max

Signal 5 Pin 20AWG/Max

Dimensions



Temperature Curve

