

2-core Barrel (2A)



APPLICATIONS

For Signal Use, Cable to Cable Solution, 2Pin



ADVANTAGES

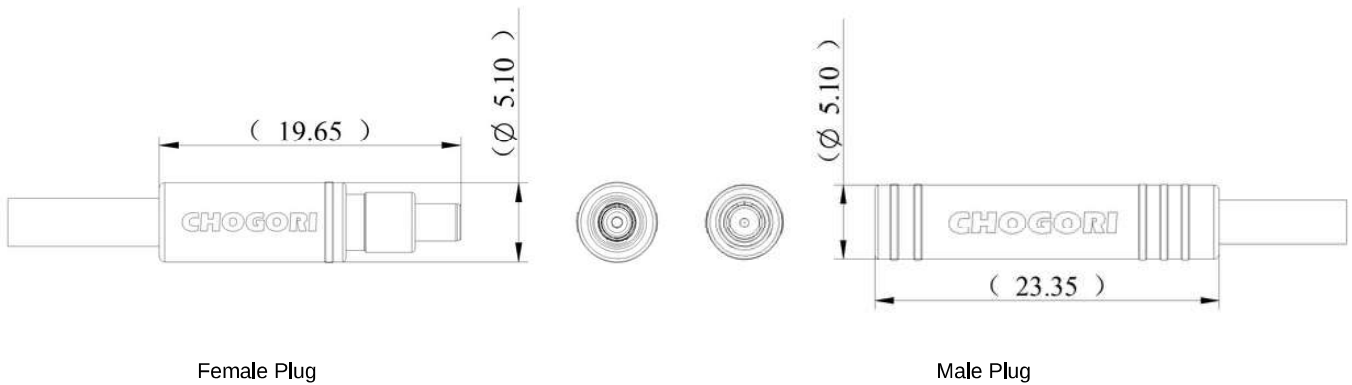
- Quick Lock
- Small and Compact
- Allow 360-degree blind insertion
- IP66 Robust Overmolded Type
- Stable Connection in Vibrating Environment
- RoHS, REACH, HF, CP65 Compliant

SPECIFICATIONS

Pin Number: 2Pin
Rated Current (Pin): 2A
Rated Voltage: 48V AC/60V DC
Withstand Voltage: 500V AC
Insulation Resistance (with cable): 20MΩ Min@500VDC

Operating Temperature: -25°C~+80°C
Mating Protection Grade: IP66
Mating Cycles: 200 Times Min (Without Load)
Contact Material: Copper Alloy, Gold Plated
Proposed Wire Specification: 26AWG /0.12mm²

DIMENSIONS



OPTIONS/ MATING PARTS



Male Plug Waterproof Protective Cap