

PS SERIES (PSA, PSM)

2 TO 35 AMP PRECISION THERMAL CIRCUIT BREAKER

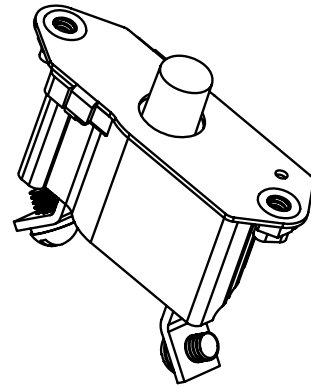
Introduction

The KLIXON® PS series of breakers are designed to interrupt short circuits or overloads and combines trip-free protection with fast response time. The PS series thermal breaker is ideal for commercial and military vehicle equipment where precise ultimate trip characteristics are required.



Features

- 30VDC, 2 to 35 Amps
- Available in manual and automatic reset options
- PSM meets CID A-A-55571/06 specifications
- PSA meets CID A-A-55571/05 specifications
- UL Recognized E36869



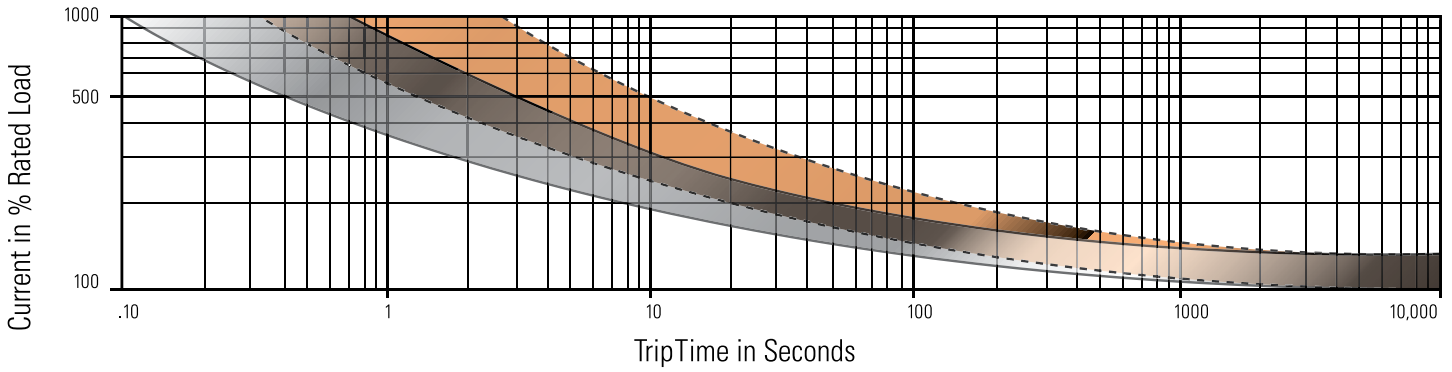
SPECIFICATIONS

Calibration : 200% rated current, 77°F (25°C)	≤10A for 20 to 150 seconds >10A for 8 to 50 seconds
Ultimate Trip At 77°F (25°C)	Must hold 100%, Must trip 138%
Endurance	Automatic: 2,000 cycles @ 200% rated current Manual: 500 cycles @ 200% rated current
Interrupt Current Capacity	Per SAE J553, 600A
Vibration	10G MIL-STD-202 Method 204, Condition A
Mechanical Shock	100G MIL-STD-202 Method 213, Condition C
Dielectric Strength	MIL-STD-202 Method 301, 1500VAC min
Insulation Resistance	MIL-STD-202, Method 302, Condition B, 100 MΩ min
Weight (with mounting nuts)	PSA : 30 grams max PSM : 32 grams max



TRIP CURVE

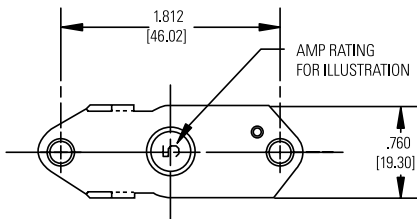
Approximate Time, Current Characteristics At 77°F (25°C)



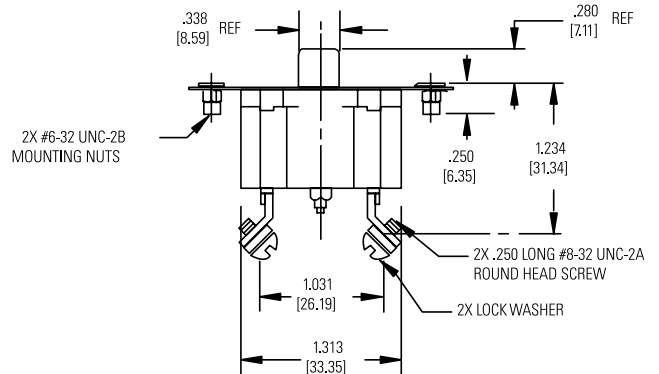
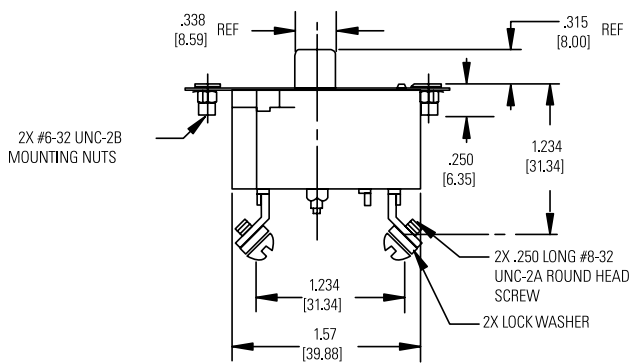
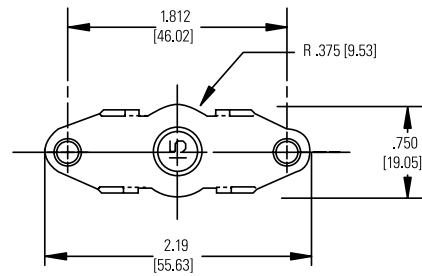
DIMENSIONS

All dimensions are in inches [mm]

PSM (10 AMPS OR LESS)



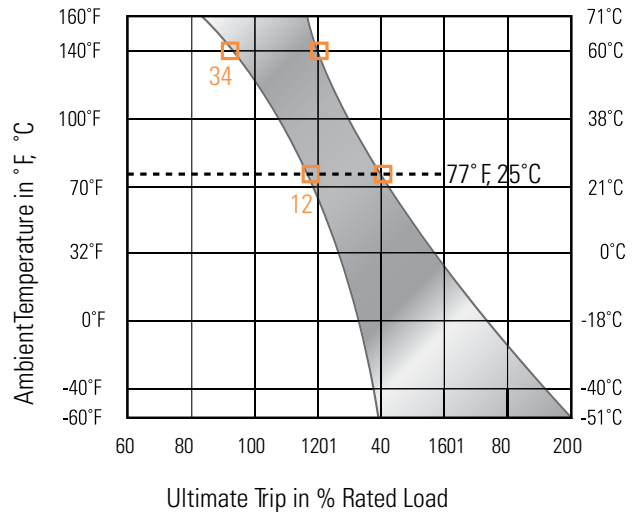
PSM (OVER 10 AMPS)





DERATING CURVE

Performance characteristics are based on room temperature (77°F, 25°C). Consult Derating curve for ambient temperatures significantly higher or lower than standard room temperature. Example: At 77°F (25°C) the device is calibrated to hold at 110% of rated current (1) and trip at 138% of rated current (2). At 140°F (60°C), the same device will hold at approximately 92% of rated current (3), and trip at approximately 120% of rated current (4).



ORDERING OPTIONS

Example : PSA-35

Configuration

PSA

35

PSA: Automatic
PSM: Manual

Amp Rating

2	8	25
3	10	30
4	12.5	35
5	15	
6	20	