

MC2 series

Provides functionality to drive safely on the road •
Plug & play solution • Easy to use



DISTINCTIVE FEATURES

Several switching functions in one solution

rotary 3-4 positions, lever 3 positions, 1 momentary pushbutton

Easy to install

Compact

Cost-effective



ENVIRONMENTAL SPECIFICATIONS

- Operating and storage temperature : -40 °C to +85 °C (-40 °F to +185 °F)
- Front panel sealing : IP67 according to IEC 60529



ELECTRICAL SPECIFICATIONS

- Max. current/voltage rating with resistive load:
 - pushbutton : 10 A, 12 VDC
 - rotary : 15 A, 12 VDC
 - lever : 15 A, 12 VDC
- Initial contact resistance : 25 mΩ max.
- Insulation resistance : 5000 MΩ min. at 500 VDC between terminals and plastics
- Dielectric strength : 500Vrms 50~60Hz



GENERAL SPECIFICATIONS

- Travel :
 - pushbutton : Total travel 3.8 ± 0.5 mm
 - rotary : 24° / position
 - lever : 31° / position
- Electrical life : 10,000 cycles



MATERIALS

- Case : PA
- Paddle : PA
- Pushbutton : PA

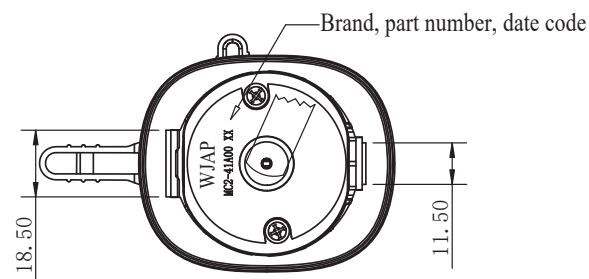
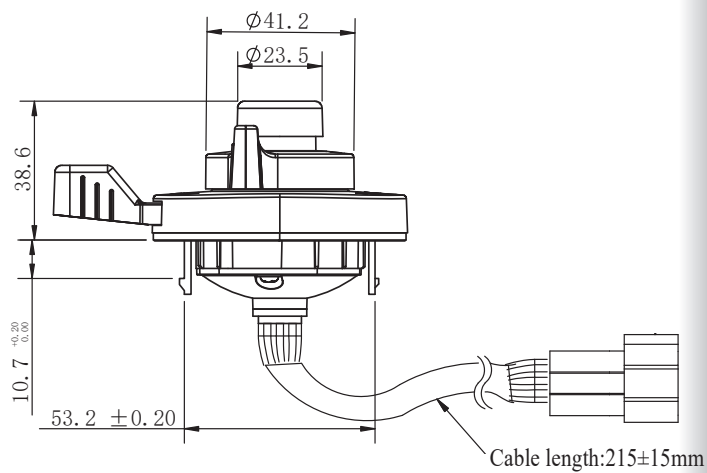
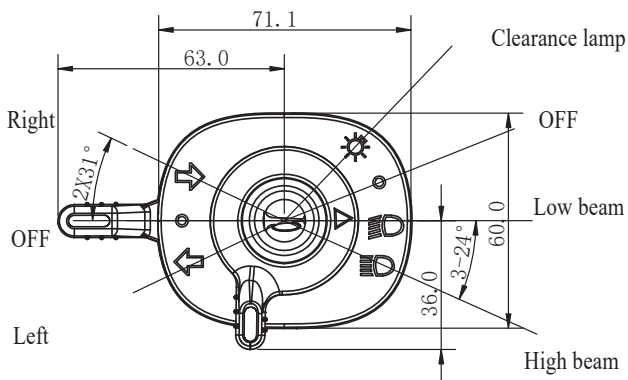
APEM products may be recycled at end-of-life for the re-claiming of valuable metal components.

The company reserves the right to change specifications without notice.



MC2 series

Provides functionality to drive safely on the road • Plug & play solution • Easy to use



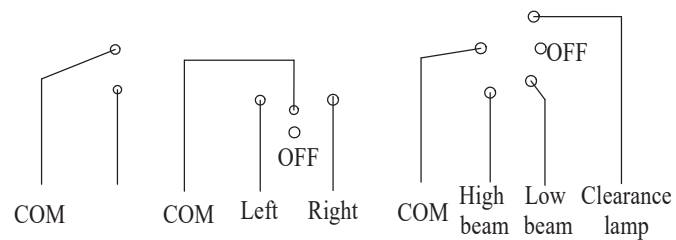
ELECTRICAL FUNCTION

ON-OFF DIAGRAM

PUSHBUTTON

LEVER

ROTARY*

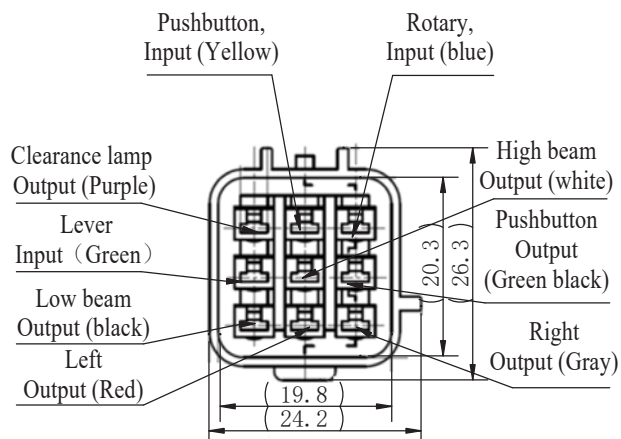


*When the switch is set to high beam or low beam, the clearance lamp is on at the same time



CONNECTIONS

Connector and terminal model: DJ7091Y-2.3-11/DJ611-G2.3X0.6A



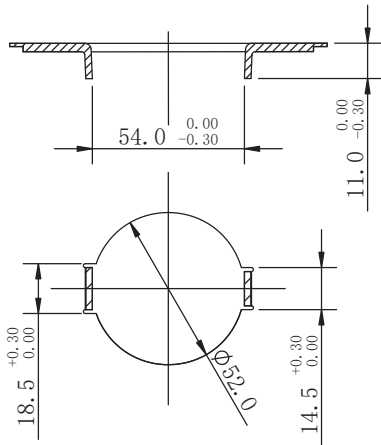
MC2 series

Provides functionality to drive safely on the road • Plug & play solution • Easy to use



MOUNTING

RECOMMENDED PANEL CUT-OUT

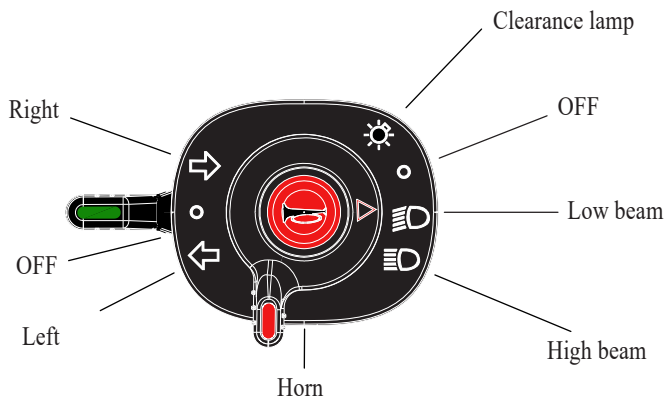


STANDARD LEGENDS

STANDARD LEGENDS WITH PART NUMBER 00

These specified legends in the given colors are considered standard and have the part number 00. Any deviation from these legends or colors will be considered custom and will receive a new part number.

Please note that new serial number will be issued also for changes in cable length, connector, and any other customization.

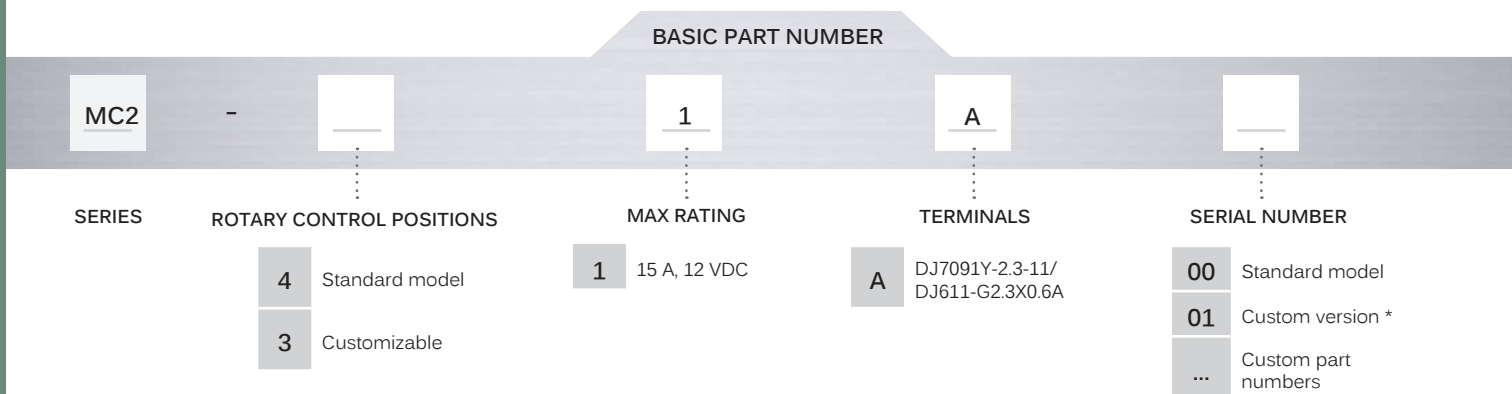


MC2 series

Provides functionality to drive safely on the road • Plug & play solution • Easy to use



BUILD YOUR PART NUMBER



* This includes change in legends, colors, cable length, connector and any other customization.



ABOUT THIS SERIES



Notice : please note that not all combinations of above numbers are available. Refer to the following pages for further information.